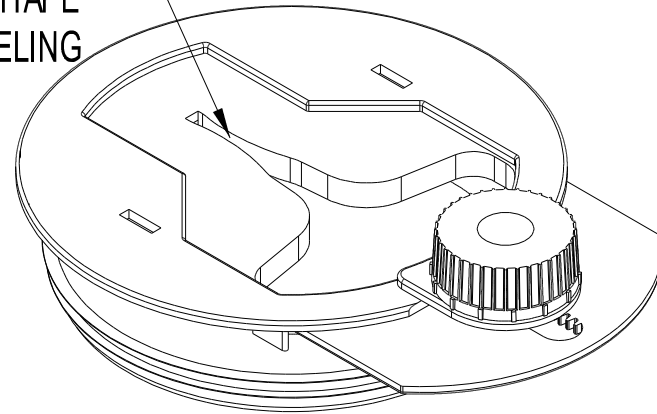
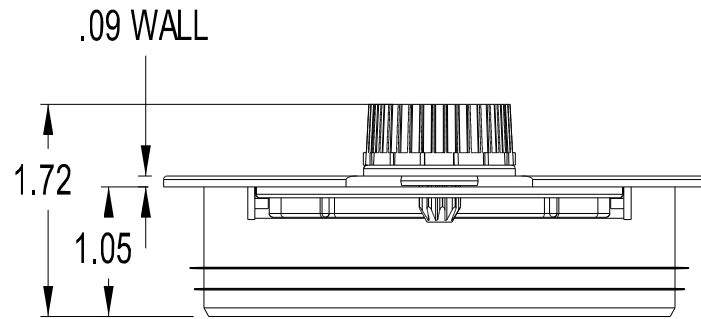
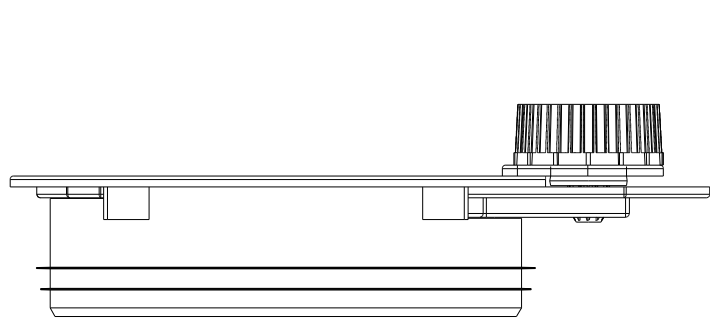
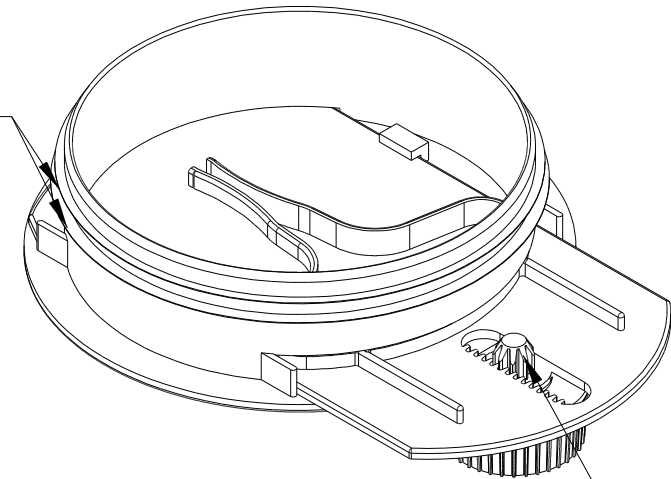


THIS WIER SHAPE
IS SELF LEVELING



THESE RIBS PROVIDE FRICTION
FIT FOR ALL 4" PIPE ID



GEAR AND RACK PROVIDES
POSITIVE ONE TIME LEVELING

POLYLOK EQUALIZER
PART NO, - 3049
MATERIAL - FILLED POLYPROPYLENE