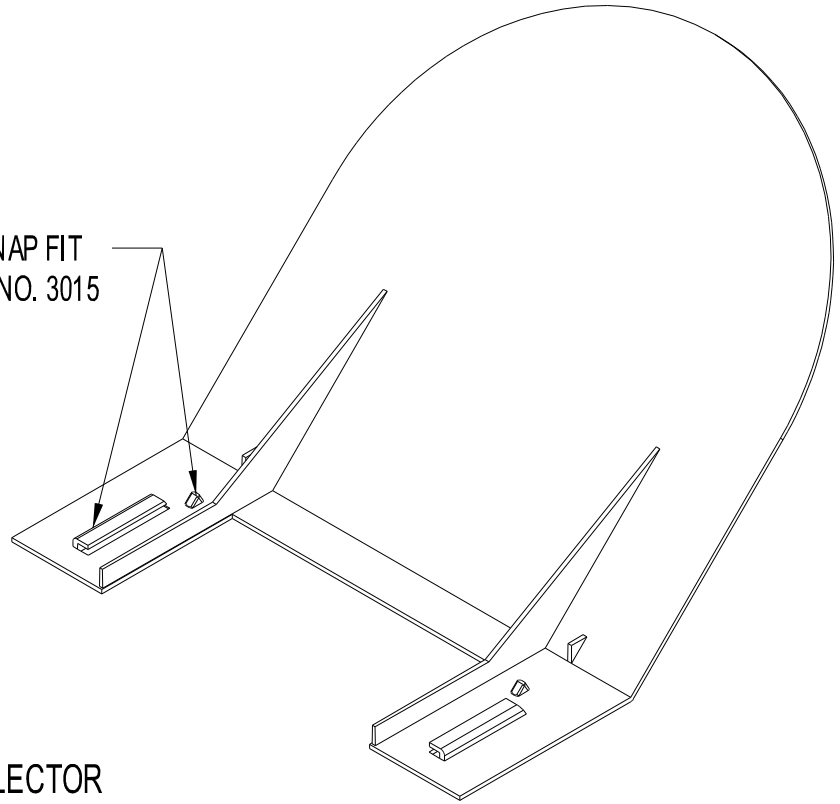


DETAILS PROVIDE SNAP FIT
ONTO BAFFLE PART NO. 3015



POLYLOK GAS DEFLECTOR
PART NO. 3023
MATERIAL - POLYPROPYLENE

