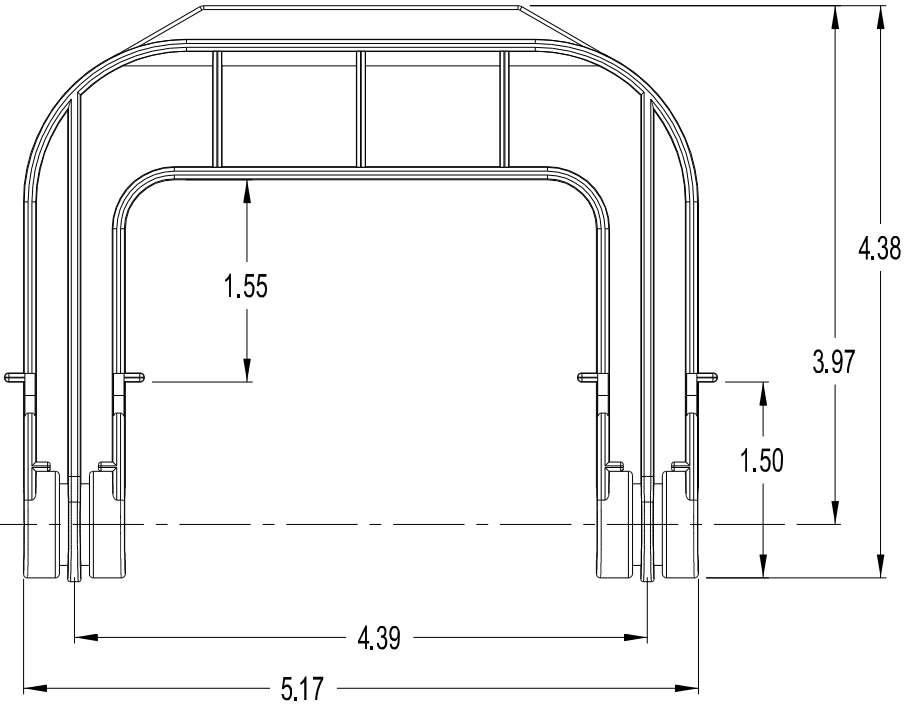
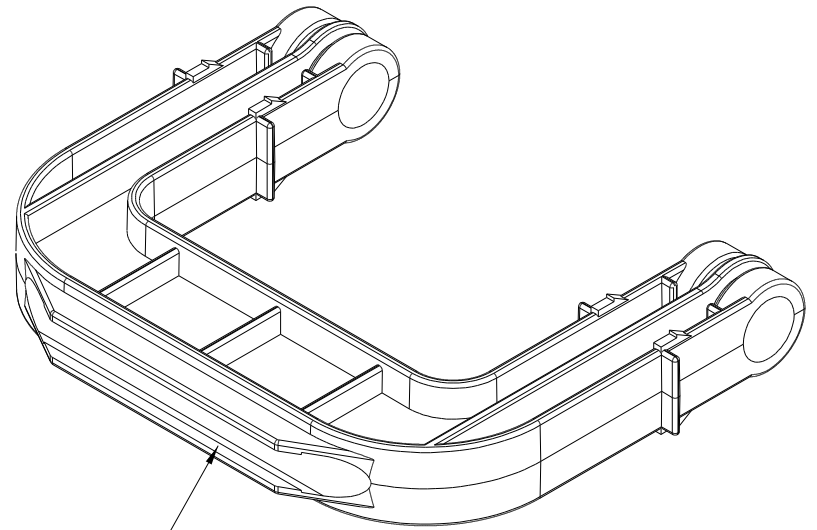
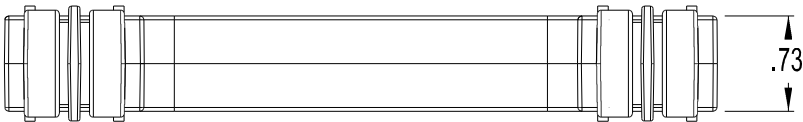


1000 LBS. LOAD RATING (2" STRAP)

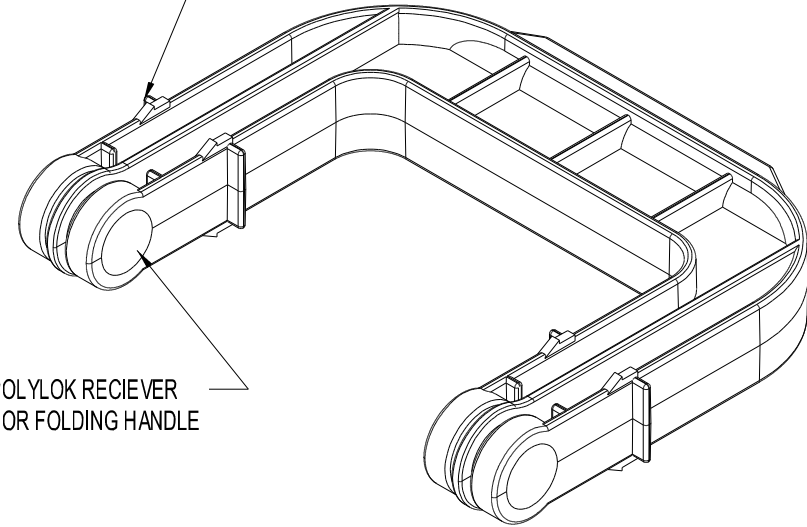


POLYLOK HANDLE
PART NO. 3551
MATERIAL - HDPE



SNAP IN 3/8" REBAR HER FOR METEL DETECTION

HANDLE ACCEPTS SNAP ON SIGNS



CAN BE USED WITH POLYLOK RECIEVER
PART NO. 3047-REC FOR FOLDING HANDLE

Ø .55 THRU

Ø .82

