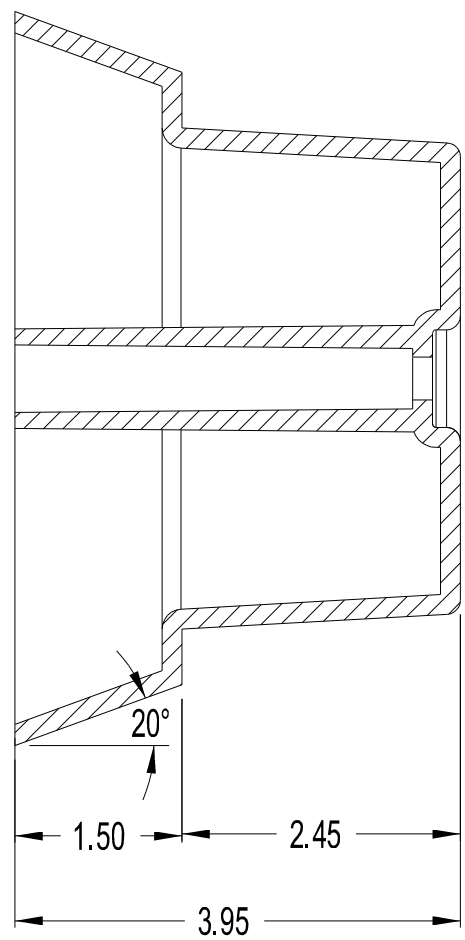
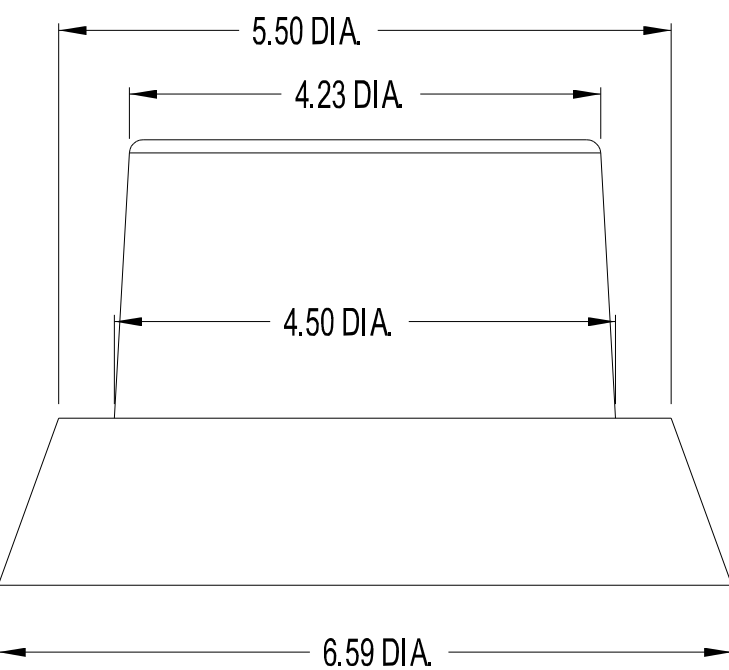
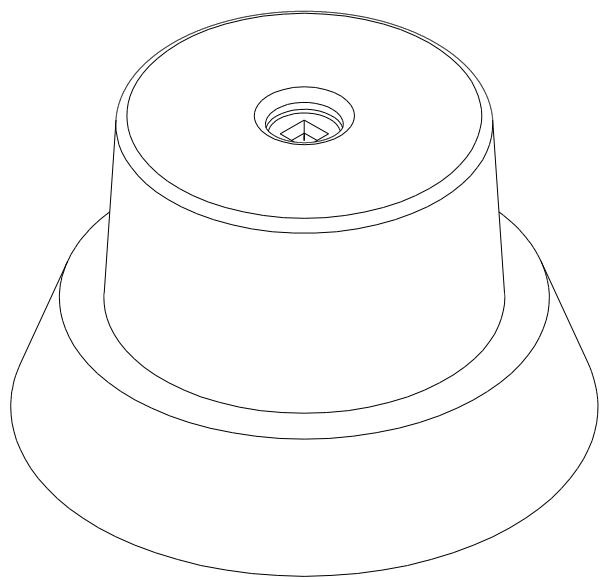
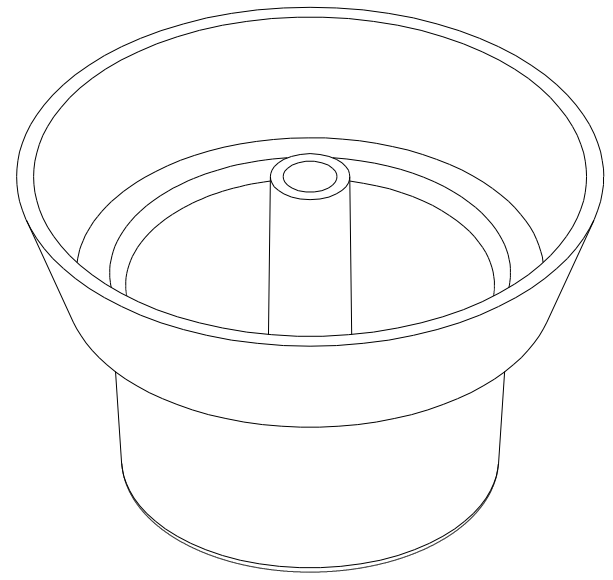


INSTALL WITH 3/8"
CARRIAGE BOLT



SECTION A-A



POLYLOK OE MANDREL
PART NO. 3004-OE
MATERIAL - FILLED POLYPROPYLENE