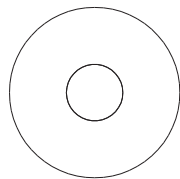
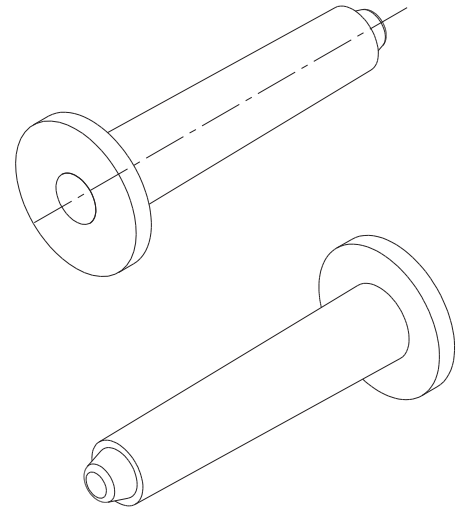


THIS DIA. IS A PRESS FIT FOR  
A DRILLED 5/16" HOLE



POLYLOK MOLD FASTENING NAILS  
 PART NO. 30401  
 MATERIAL - HIGH IMPACT STYRENE