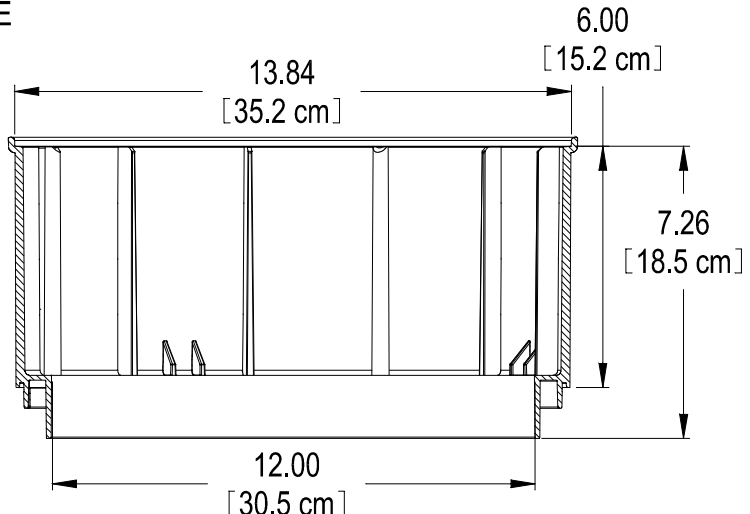
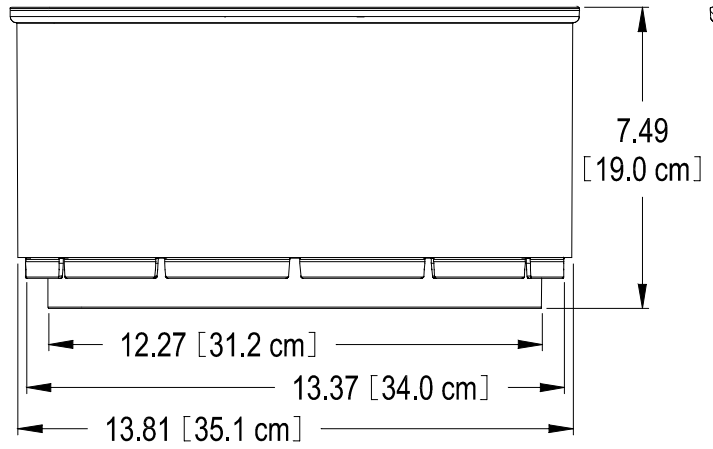


POLYLOK 12" RISER/LIP
PART NO. 3017-RL
MATERIAL - HDPE
COLOR - GREEN



SECTION A-A

