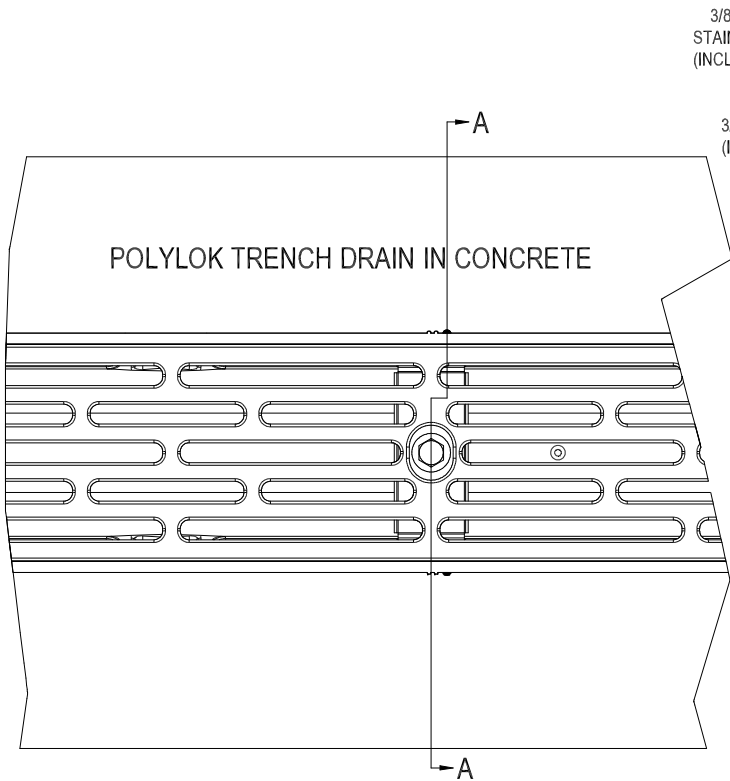
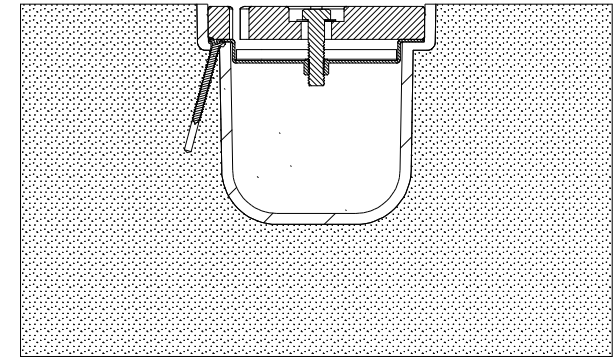
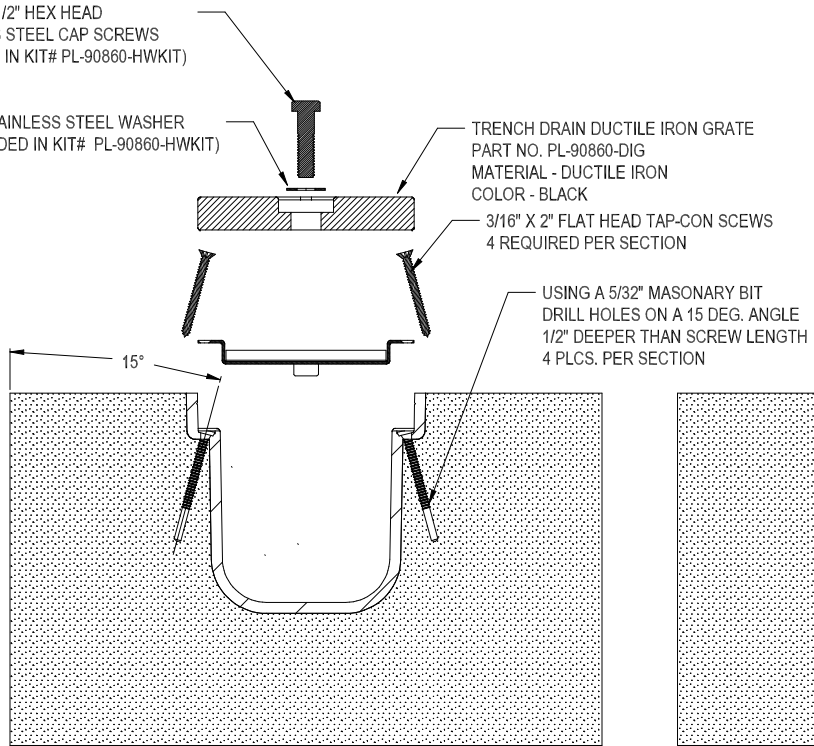


POLYLOK INSTRUCTIONAL DIAGRAM FOR RETROFITTING  
DUCTILE IRON GRATES IN TRENCH DRAIN THAT HAS BEEN  
PREVIOUSLY INSTALLED IN CONCRETE WITH PLASTIC GRATES  
NOTE: 2 KITS # PL-90860HWKIT REQUIRED PER SECTION



3/8" X 1 1/2" HEX HEAD  
STAINLESS STEEL CAP SCREWS  
(INCLUDED IN KIT# PL-90860-HWKIT)

3/8" STAINLESS STEEL WASHER  
(INCLUDED IN KIT# PL-90860-HWKIT)



SECTION A-A