

STEP PACKAGE - SEPTIC TANK EFFLUENT PUMP SPECIFICATIONS



STEP SYSTEM SPECIFICATIONS

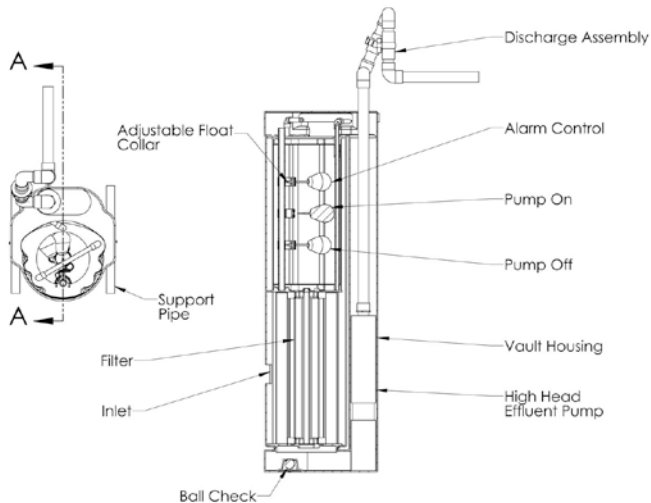
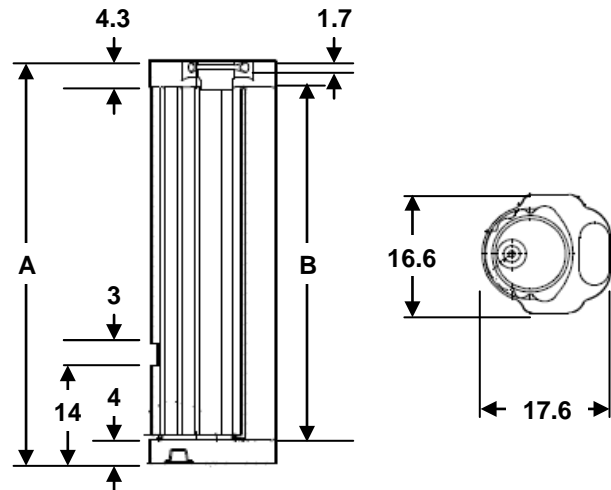
Model	PL-STEP49	PL-STEP57
A - Vault Height	49"	57"
Filter Diameter	9-3/4"	9-3/4"
B - Filter Height	40-11/16"	48-11/16"
Filter Screen Opening	1/8"	1/8"
Filter Surface Area	12.83 sq. ft.	15.33 sq. ft.
Filter Open Area	5.65 sq. ft.	6.76 sq. ft.
Housing Inlet Height	14"	14"
Pump Off/On/Alarm Level (From Top Of Vault)	Adjustable	Adjustable
	14" / 10" / 6.25"	22.5" / 17.5" / 12.5"

PRODUCT USE

Polylok STEP systems are designed for septic and effluent tank pumping. They can either be used in an advanced wastewater treatment system or in a STEP collection system. The STEP system has a unique structural design to ensure long life and performance.

PRODUCT DESCRIPTION

Polylok STEP systems include a molded LDPE housing, polypropylene and PVC filter, Schedule 40 PVC discharge kit, Schedule 80 PVC support pipes, float level controls, submersible high head effluent pump, and control panel. The filter and float tree are designed to allow removal for cleaning without removal of the pump or housing. Standard models are available in Simplex or Duplex pumping configurations.



CONSTRUCTION MATERIALS

Housing	100% Recycled Low Density Polyethylene
Filter	Polypropylene / PVC
Float Tree	Schedule 40 PVC
Support Pipe	Schedule 80 PVC
Float Control	Mechanical Level Control
Discharge Kit	Schedule 40 PVC

STEP PACKAGE - SEPTIC TANK EFFLUENT PUMP SPECIFICATIONS

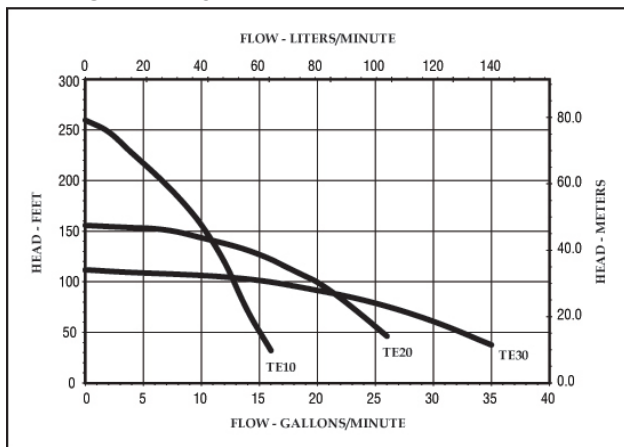
PUMP SPECIFICATIONS

Pump Flow Rate (Gallons Per Minute / GPM)	Standard – 20 GPM Optional – 10, 30 GPM
RPM	3450
Hp	1/2
Voltage	115
Phase	1
Frequency	60 Hz
Full Load Amps	10 Amps
Discharge Size	1-1/4"
Cable Length	10'
Cable Type	Sjow300V
Backflow Protection	Removable Built-In Check Valve
Motor Protection	Thermal Overload

PUMP CONSTRUCTION MATERIALS

Motor Housing	Stainless Steel
Impeller Material	Celcon
Diffuser	Glass Filled Polypropylene
Fasteners	Stainless Steel
Shaft	Stainless Steel
Bearings	PEEK
Discharge	Glass Filled Polypropylene

PERFORMANCE DATA



PL-TE10, PL-TE20, & PL-TE30

CONTROL PANEL SPECIFICATIONS

Standard Polylok Control Panel Model	PI-112 Simplex Step Panel
Enclosure Dimensions	8"X8"X4"
Enclosure Type	UL Type 4x With Removable Molded Mounting Feet
Audible Alarm	Includes Normal – Silence Switch 83-85 Db
Alarm Light	Flashing Red
Voltage To Control Alarm	120 VAC
Voltage To Pump Relays	120 VAC
Complete With Step By Step Installation Instructions.	

CONTROL PANEL FEATURES

Standard Features

- Standard Control Devices
- Pump On/Off
- Alarm Light And Horn
- Lockable Latch
- Hoa Switch
- Normal-Silence Switch
- Pump And Controls Circuit Breakers
- Motor Magnetic Contactor
- 3 Float Operation (Installed In Basin)

Available Options

- Elapsed Time Meter
- Cycle Counter
- Run Indication Light
- Power Indication Light
- Programmable Timer
- Plc Smart Panel
- Lightning Arrestor
- Remote Monitoring
- Alarm & Remote Mounting
- Auto Dialers
- Custom – Call Factory