

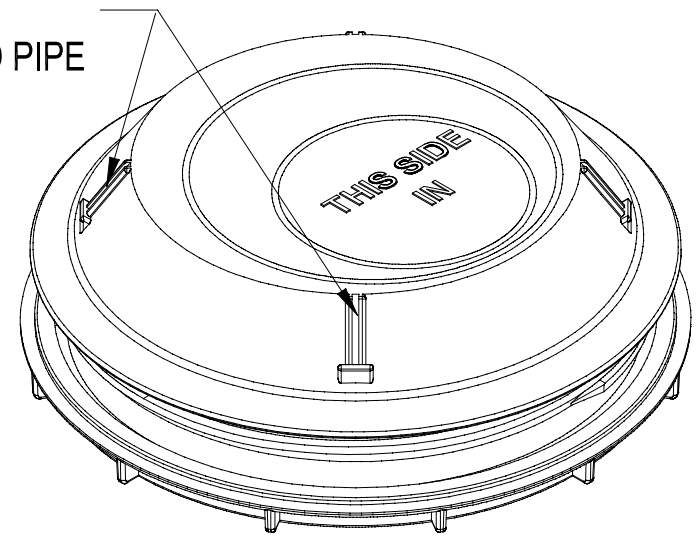
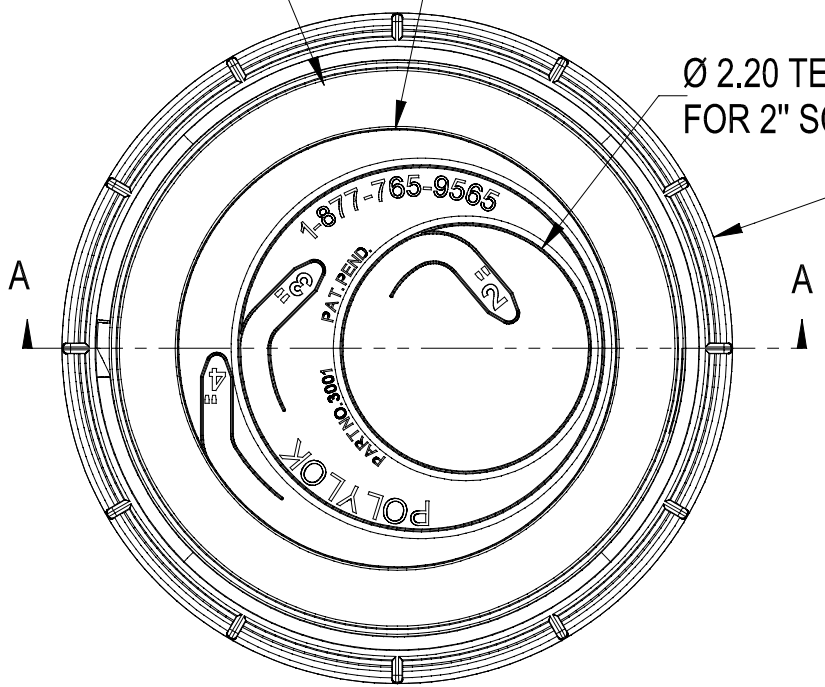
Ø3.90 TEAR OUT FOR
4" SDR-35 OR SCHD-40

Ø 3.20 TEAR OUT FOR
3" SDR-35 OR SCHD-40

CUT AT NOTCHES
FOR 4" CORRUGATED PIPE

Ø 2.20 TEAR OUT
FOR 2" SCHD-40

Ø5.83
[14.8 cm]



POLYLOK D-BOX
PART NO. - 3001
MATERIAL :
SEAL - LLDPE
NUT - PP