



CABINET FOR HEALTH AND FAMILY SERVICES
DEPARTMENT FOR PUBLIC HEALTH

Matthew G. Bevin
Governor

Division of Public Health Protection and Safety
Environmental Management Branch
275 East Main Street, HS1C-D
Frankfort, KY 40621
502-564-4856
Fax: 502-564-3653
www.chfs.ky.gov/dph

Adam M. Meier
Secretary

Jeffrey D. Howard, Jr., MD
Commissioner

November 30, 2018

Patrick Mulhall
Polylok, Inc.
3 Fairfield Blvd.
Wallingford CT 06762

Dear Mr. Mulhall:

I have reviewed the plans you submitted for the Polylok 24" baffled D-box (Part # 3017-C24-KY) with the accompanying domed lid (Part # 3008-RC) to be approved for use in Kentucky.

The box has been approved for use as an Equal Flow Distribution Box. Requirements/stipulations for use are as follows:

- The box is approved for use as a "seven hole box" (for use with up to 7 outlets)
- The inlet opening must be made on/in the second level (from the top) of holes
- The outlets must be made on/in the fourth level (from the top) of holes; (second level of holes from the bottom)
- Eight seals must be provided for this equal flow distribution box; one for the inlet and one for each of the possible seven outlets
- The inlet "T" as shown in the approved plans must be provided with the equal flow distribution box
- At time of installation, the box must be securely anchored to a poured concrete base a minimum of four (4) inches thick and extending on all sides of the box side walls at least four (4) inches

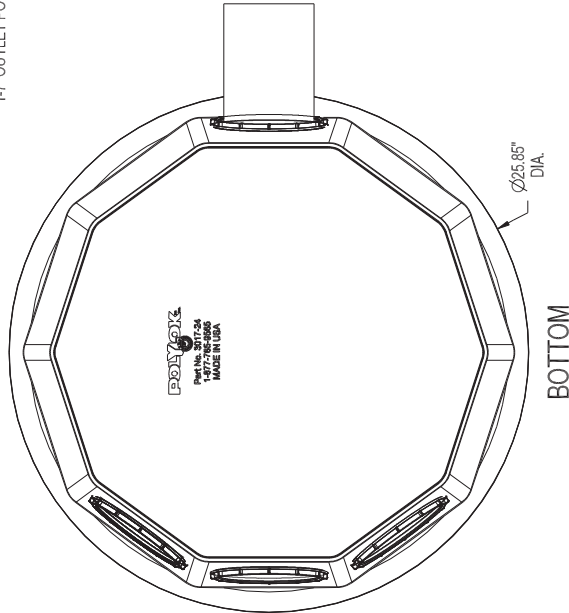
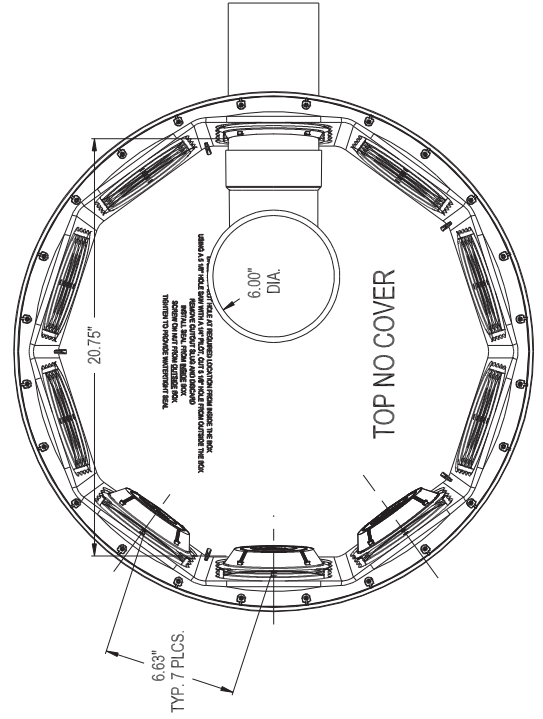
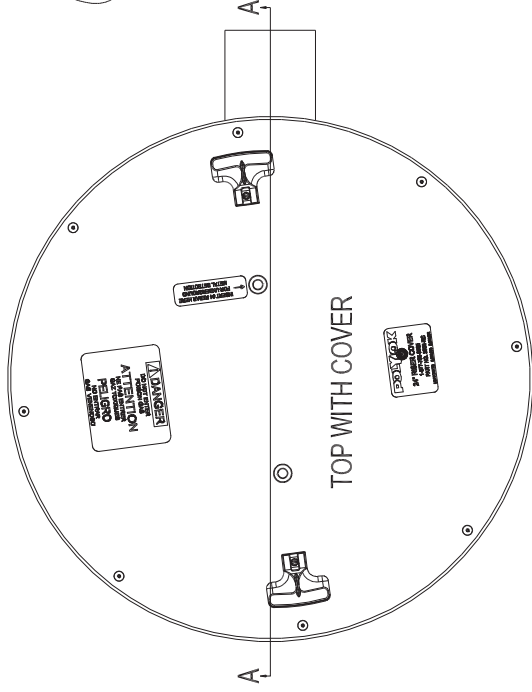
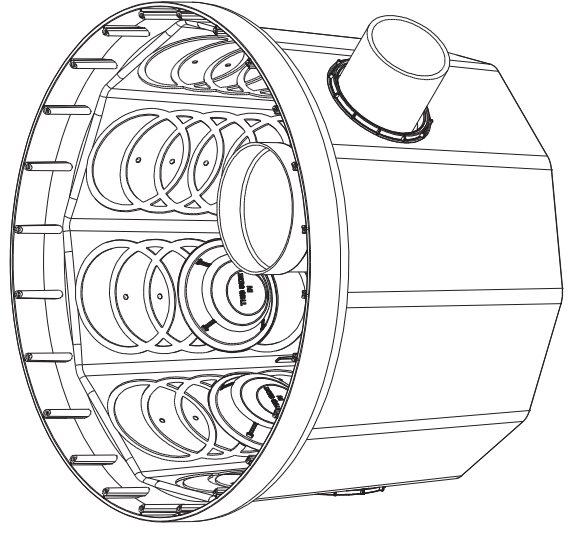
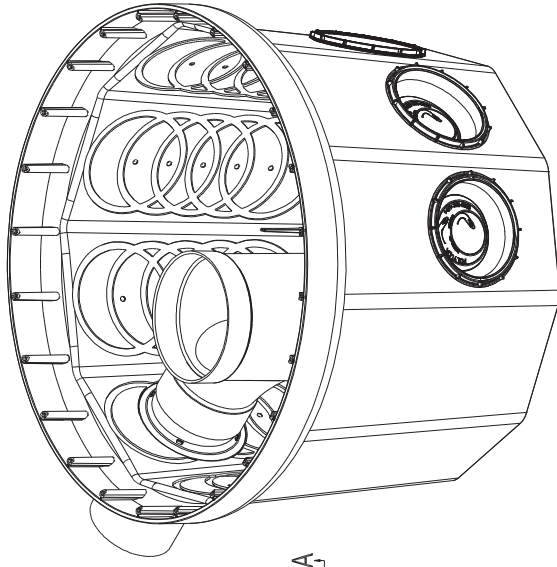
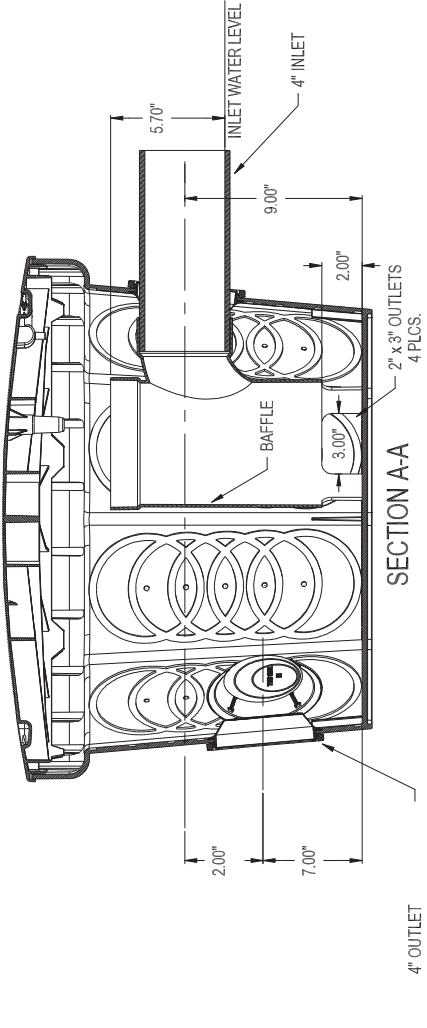
Each box must include the following:

- The instructions for cutting the proper location of the holes
- The Kentucky approval number must be attached to the box by imprint, stencil, or other acceptable means of marking, preferably along the top outside edge of the box (above the top level of holes)
- The approval number for this distribution box is: **KY-PE7-0165**

Respectfully,

Craig A. Sheehan, R.S.
Environmental Health Inspection Program Evaluator
Environmental Management Branch
KY Department for Public Health





POLYLOK 24" BAFFLED D-BOX
PART NO. 3017-B24
MATERIAL - HDPE
NOMINAL WALL THICKNESS - .25"