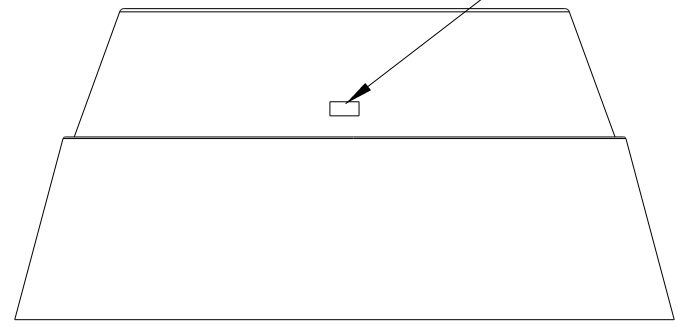
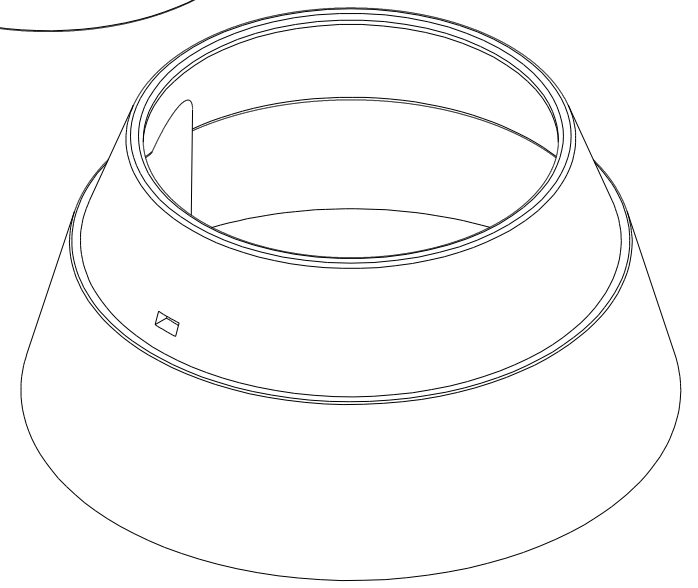
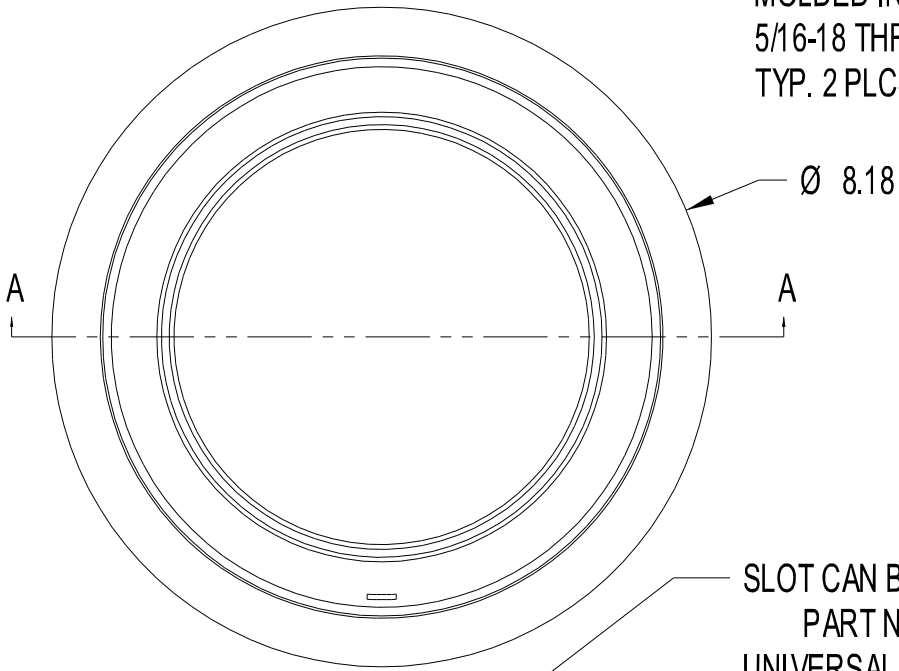
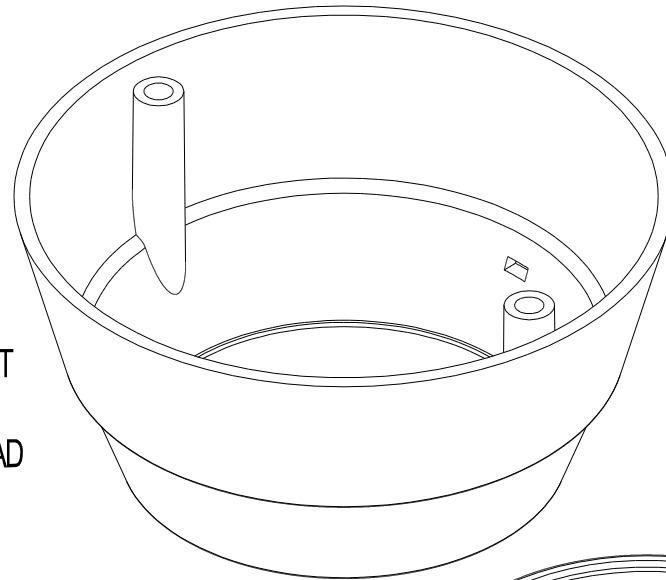


BRASS INSERT
MOLDED IN
5/16-18 THREAD
TYP. 2 PLCS.



POLYLOK TYPE III MANDREL 2 1/2" - 4"
PART NO. - 3022
MATERIAL - FILLED POLYPROPYLENE