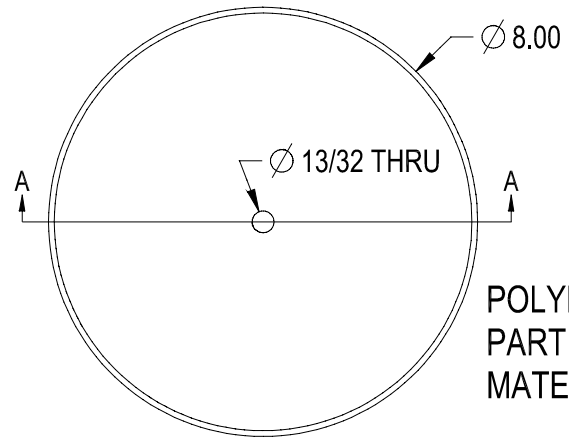
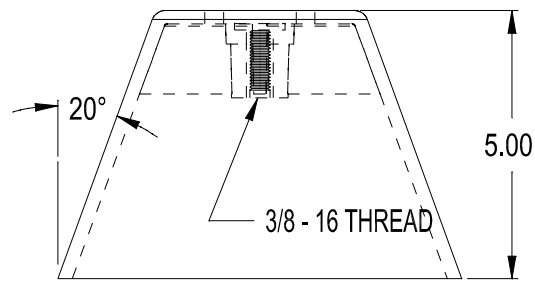


(OLD STYLE) ADAPTER PLUG  
 PART # 3013  
 MATERIAL - FILLED POLYPROPYLENE



POLYLOK MANDREL EXTENSION  
 PART NO. - 3010-6  
 MATERIAL - HDPE