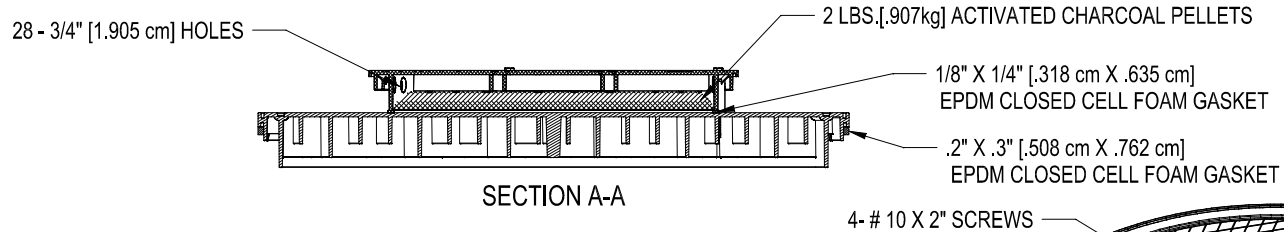
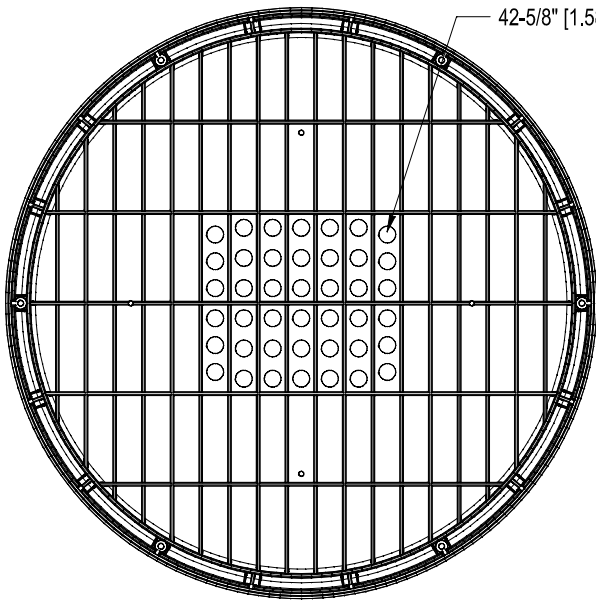


**CHARCOAL COVER SPECIFICATIONS:
ASSEMBLY CONSISTING OF;**

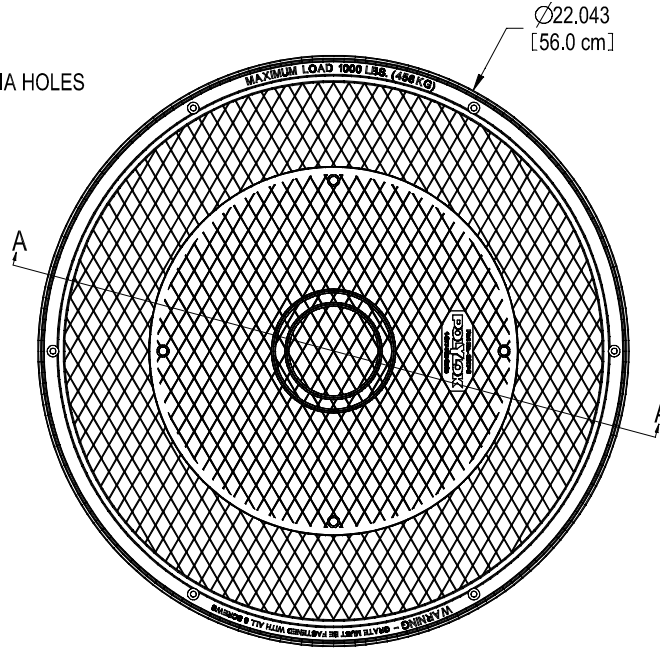
- 1- 3017-C20 20" [50.8 cm] COVER
- 1- 3017-C12 12" [30.48 cm] COVER
- 4- ABS BUSHINGS
- 4- #10 X2" SCREWS
- 2 LBS.[.907kg] ACTIVATED CARBON PELLETS
IN NETTED BAG POLYESTER BAG



4- # 10 X 2" SCREWS



42-5/8" [1.588 cm] DIA HOLES



Ø22.043
[56.0 cm]

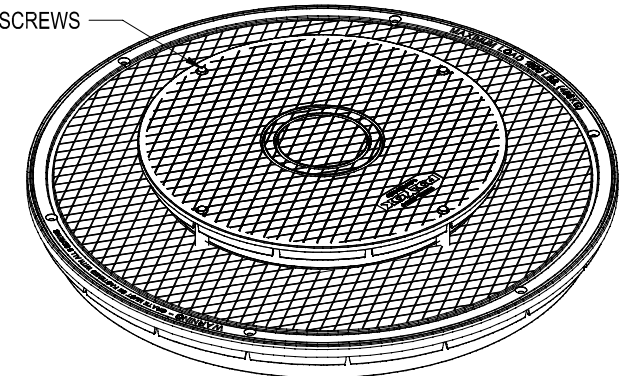
Ø13.77
[35.0 cm]

1.58
[4.0 cm]

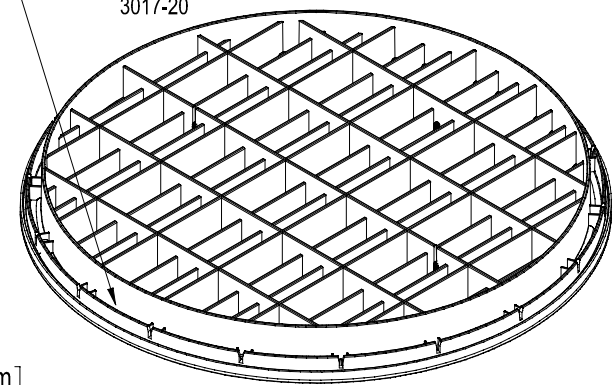
3.61
[9.2 cm]

Ø20.46
[52.0 cm]

Ø22.03
[56.0 cm]



- BOTTOM DETAIL FITS POLYLOK
PART NO. - 3009**
- 3009-R12
 - 3009-AR
 - 3009-RTR20
 - 3009-RP
 - 3017-20



**POLYLOK 20" ACTIVATED CHARCOAL COVER
PART NO. 3009- ACC
MATERIAL - HDPE
COLOR - GREEN
VENTED AREA - 12.27 SQ. IN. [79.16 CU.CM]**