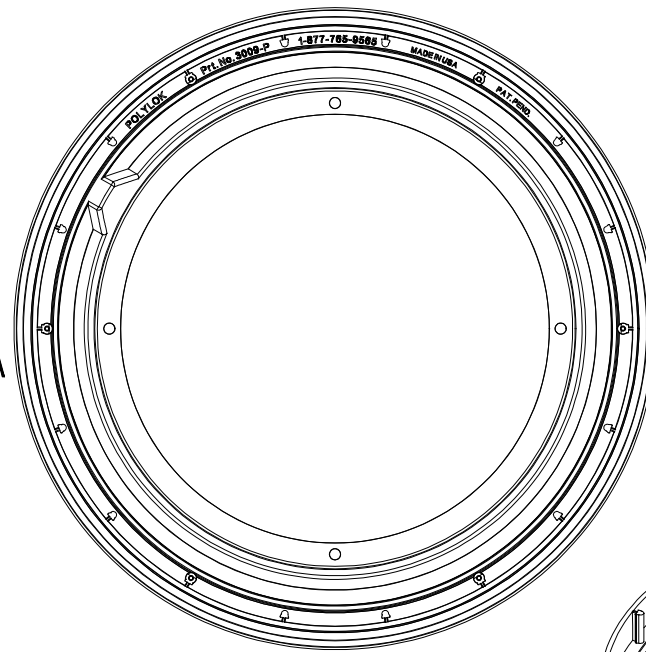
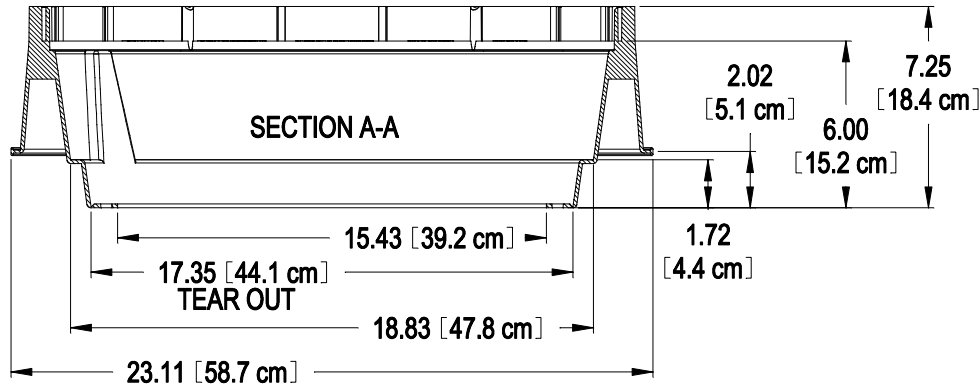


16.25 [41.3 cm]
MOUNTING HOLES

BOTTOM VIEW



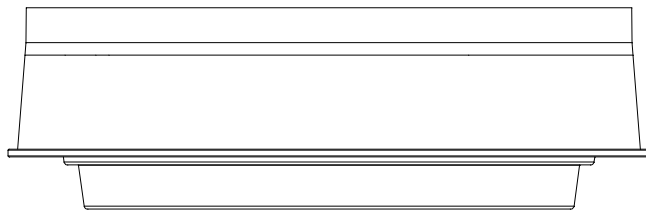
TOP VIEW



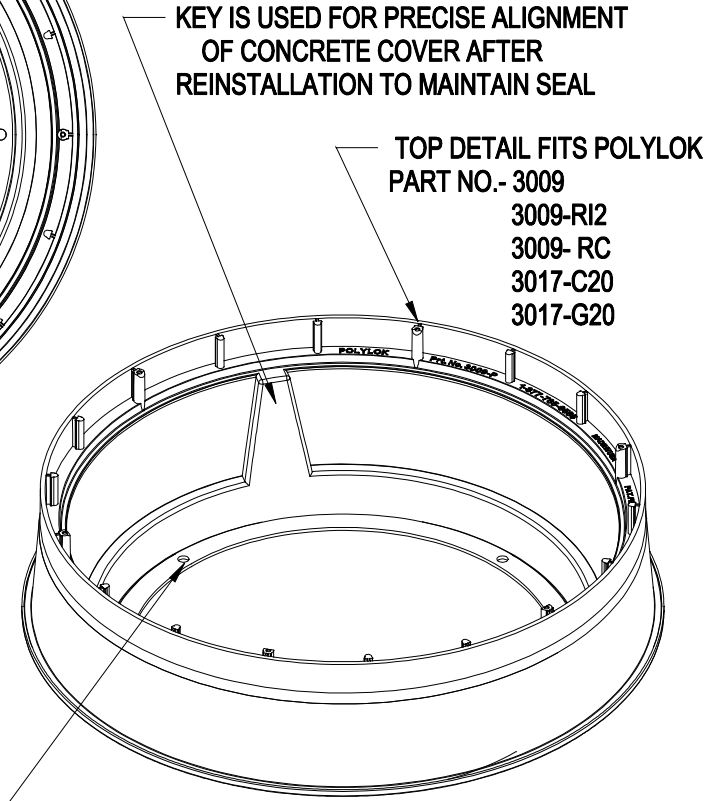
SECTION A-A

15.43 [39.2 cm]
17.35 [44.1 cm]
TEAR OUT
18.83 [47.8 cm]

2.02 [5.1 cm]
7.25 [18.4 cm]
6.00 [15.2 cm]
1.72 [4.4 cm]



FRONT VIEW



KEY IS USED FOR PRECISE ALIGNMENT
OF CONCRETE COVER AFTER
REINSTALLATION TO MAINTAIN SEAL

TOP DETAIL FITS POLYLOK
PART NO.- 3009
3009-RI2
3009- RC
3017-C20
3017-G20

4 HOLES FOR MOUNTING TO
FORM USE WITH POLYLOK
PART NO. 30401 (MOLD FASTENING NAIL)
NOTE: ENTIRE FLANGE CAN BE REMOVED BY
BREAKING OFF AT NOTCHED DIA.

POLYLOK 20" RISER PAN
PART # 3009-RP
MATERIAL - HDPE
COLOR - GREEN