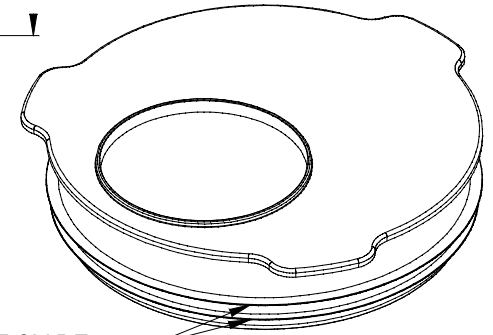
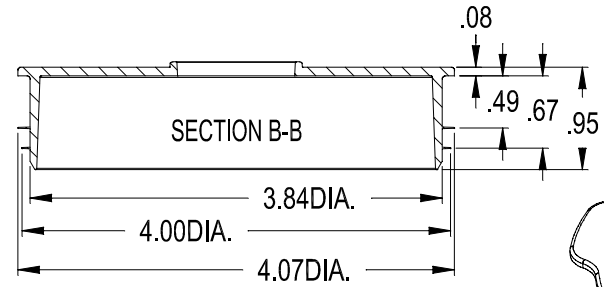
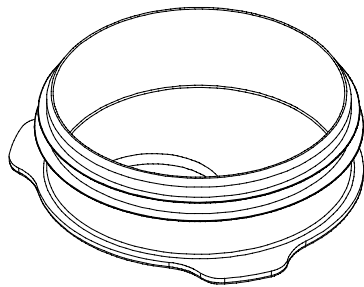
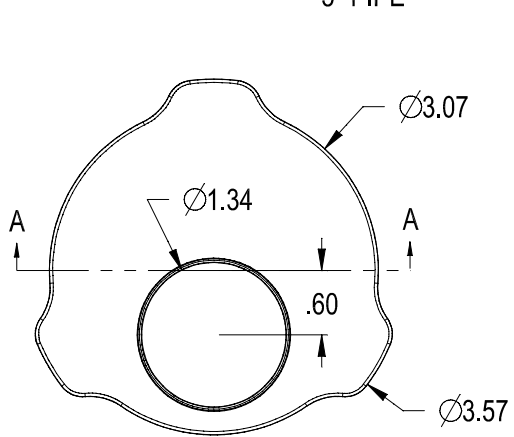


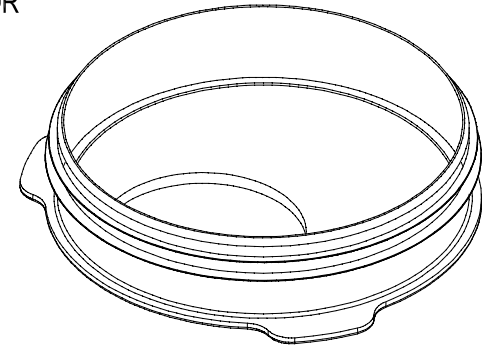
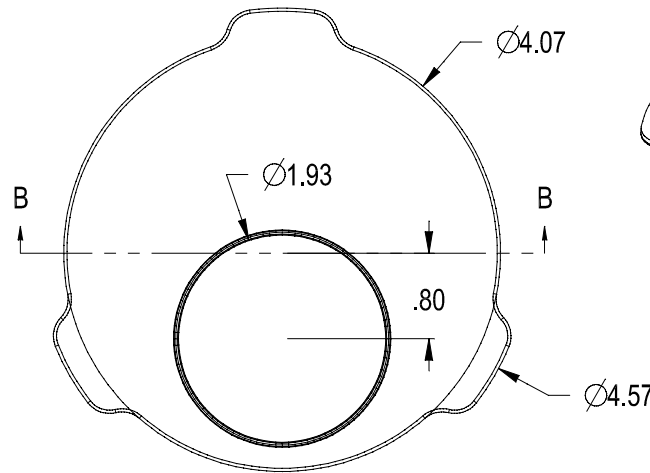
THESE RIBS PROVIDE FRICTION FIT FOR ALL 3" PIPE



THESE RIBS PROVIDE FRICTION FIT FOR ALL 4" PIPE



POLYLOK 3" ROTOFLOW
PART NO. - 3050-3
MATERIAL - HDPE



POLYLOK 4" ROTOFLOW
PART NO. - 3050-4
MATERIAL - HDPE