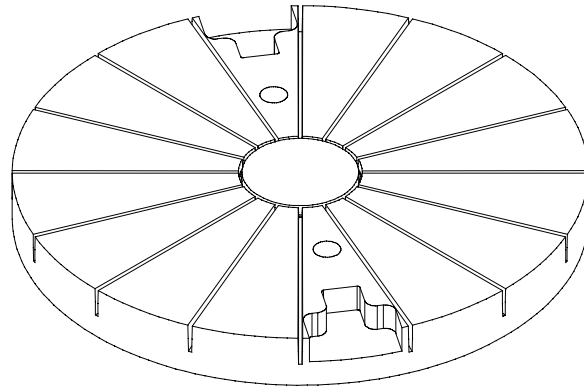
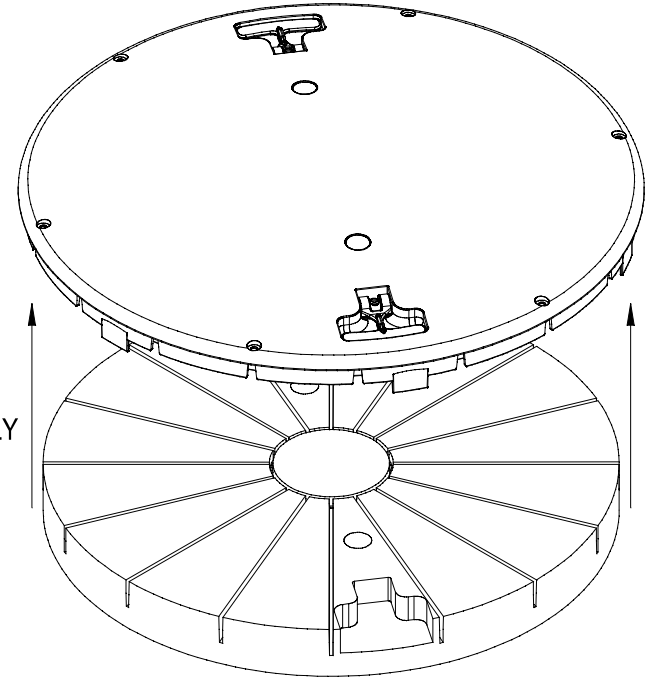


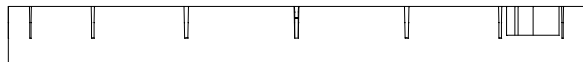
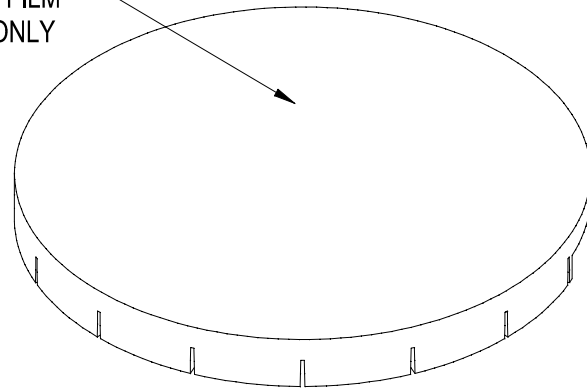
Ø20.05



INSTALL BY PRESSING INSERT EVENLY INTO COVER BY USING YOUR HANDS OR BLOCK OF WOOD AND Mallet



REFLECTIVE FILM THIS SIDE ONLY



POLYLOK 20" INSULATED INSERT  
PART NO. 3009-IN  
MATERIAL: 1.5 PCF EXPANDED POLYSTYRENE  
2" THICK WITH REFLECTIVE FILM  
R VALUE OF 10