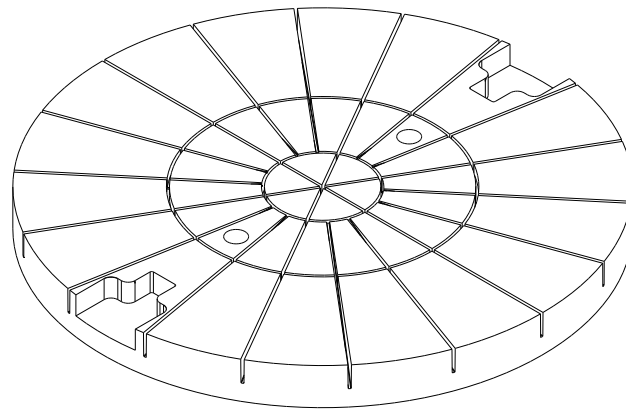
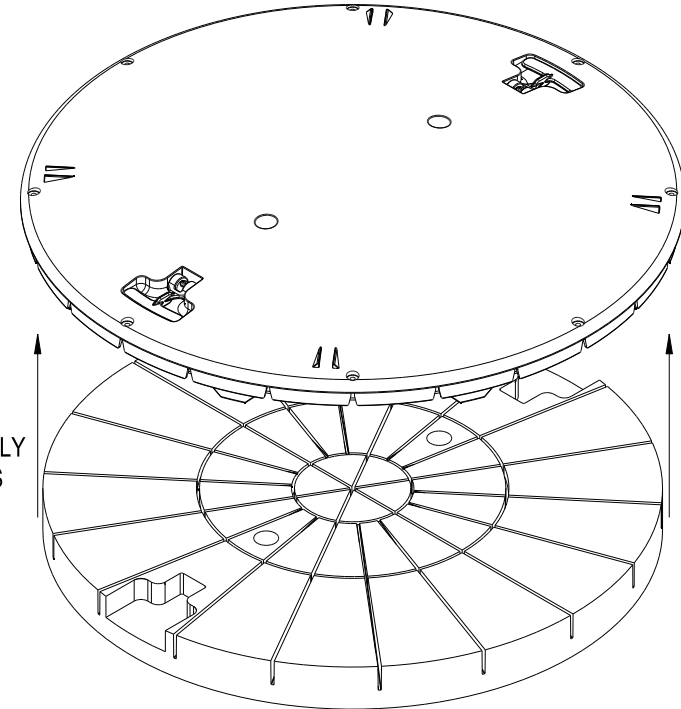
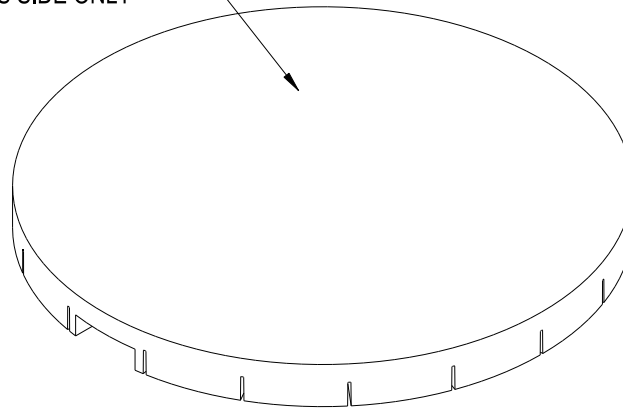


Ø24.030



INSTALL BY PRESSING INSERT EVENLY
INTO COVER BY USING YOUR HANDS
OR BLOCK OF WOOD AND Mallet

REFLECTIVE FILM
THIS SIDE ONLY



POLYLOK 24" INSULATED INSERT
PART NO. 3008-IN
MATERIAL: 1.5 PCF EXPANDED POLYSTYRENE
2" THICK WITH REFLECTIVE FILM
R VALUE OF 10

2.00

