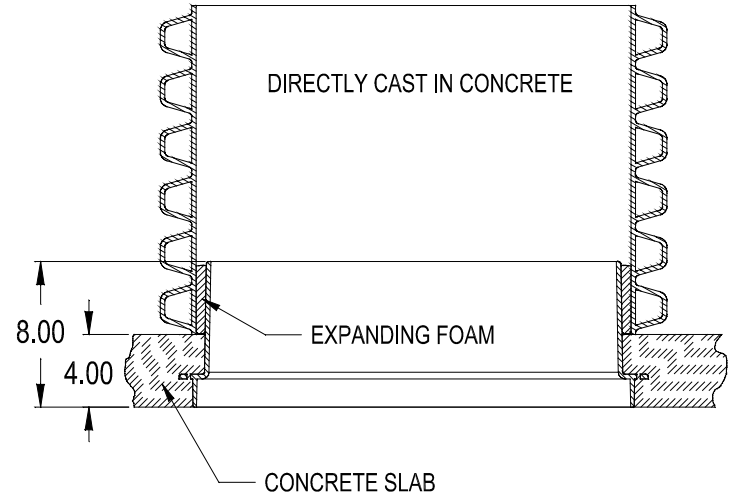
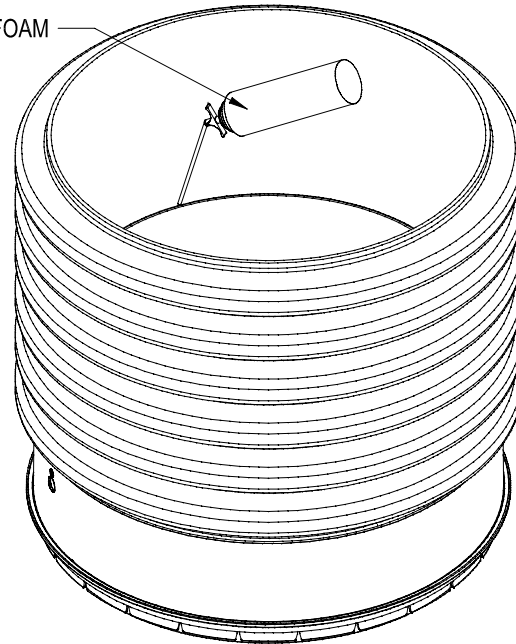


EXPANDING FOAM



INSTALLATION INSTRUCTIONS FOR POLYLOK'S
24" CAST IN PIPE ADAPTER RING # 3009-CPA

- 1 - IF RETROFITTING ON EXSITING POLYLOK PRODUCTS FASTEN CAST IN RING TO POLYLOK PRODUCT USING 8- #10 X1 1/2" SS SCREWS
- 2 - PLACE 24" CORRUGATED OR ANY OTHER 24" RIBBED PIPE OVER CAST IN PIPE ADAPTER RING
- 3 - APPLY EXPANDING FOAM (POLYMETHYLENE OR POLYURETHANE) INSIDE THE GAP BETWEEN PIPE AND CAST IN PIPE ADAPTER RING
- 4 - ALLOW AMPLE TIME FOR FOAM TO SET PRIOR TO BACKFILLING (2 TO 3 HRS.)

