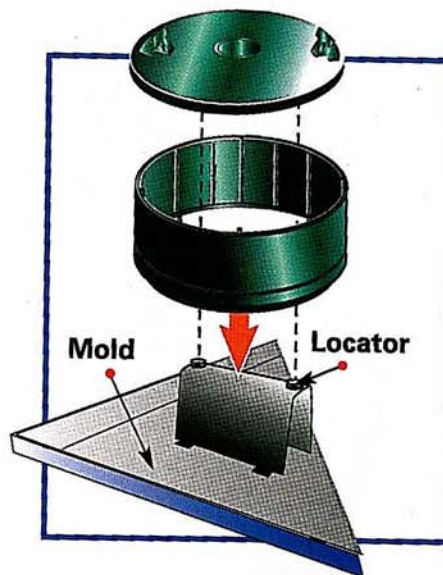




3 Fairfield Boulevard, Wallingford, Connecticut 06492
Office: 1-877-765-9565 Fax: 203-284-8514
email: sales@polylok.com
Web site: www.polylok.com

Polylok Riser Locator for 24"x6" & 20"x 6" Risers

Polylok riser locators will position the above risers in the same position 100% of the time. This is the most secure way to make sure you have a perfect alignment with every pour. The riser is simply positioned over a riser locator and the cover is aligned over the two locator holes and tapped into position with a rubber mallet. This keeps the riser and cover anchored, as the locator pins on the underside of the cover are locked into the locator so it can't move when the concrete is poured. The locator can be spot welded to the form for all future pours. When stripping the concrete form the cover and riser are in perfect position and the cover can be screwed in place with the stainless steel #10 x 1.5" screws. See enclosed diagram below.



**Casting a Riser into
a Concrete Tank**