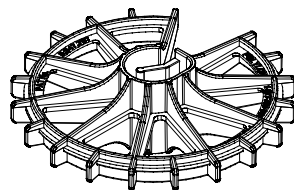
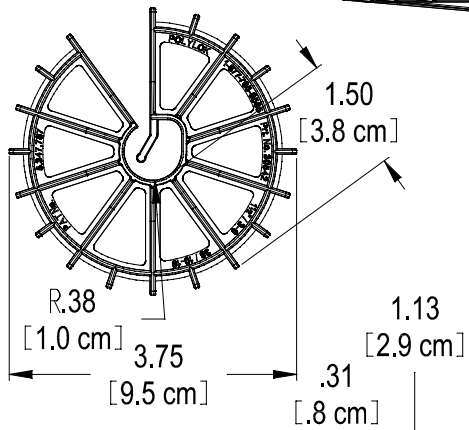
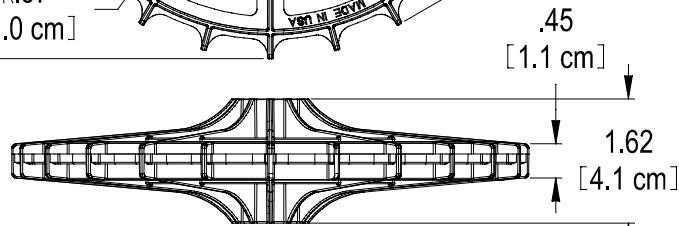
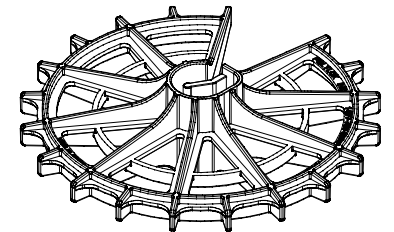
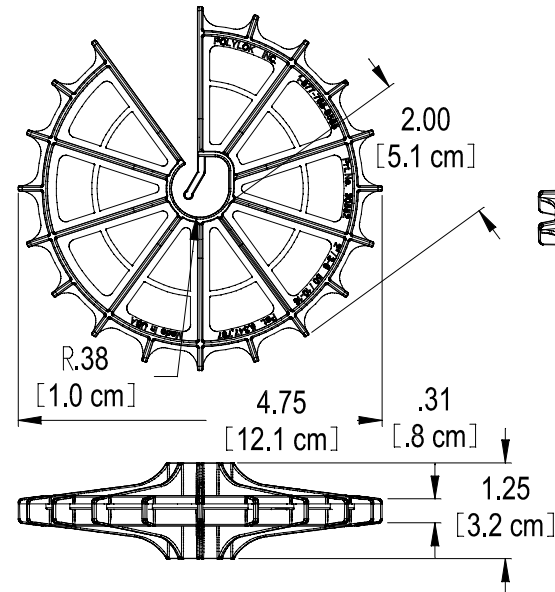
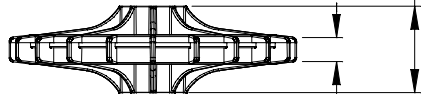


POLYLOK 3" COVER WHEEL
 PART NO. 30562
 MATERIAL - HDPE
 ACCEPTS - 3-6 REBAR



POLYLOK 1 1/2" COVER WHEEL
 PART NO. 30542
 MATERIAL - HDPE
 ACCEPTS - 3-6 REBAR



POLYLOK 2" COVER WHEEL
 PART NO. 30552
 MATERIAL - HDPE
 ACCEPTS - 3-6 REBAR

