



**Outdoor  
 SmartFilter®  
 Alarm**

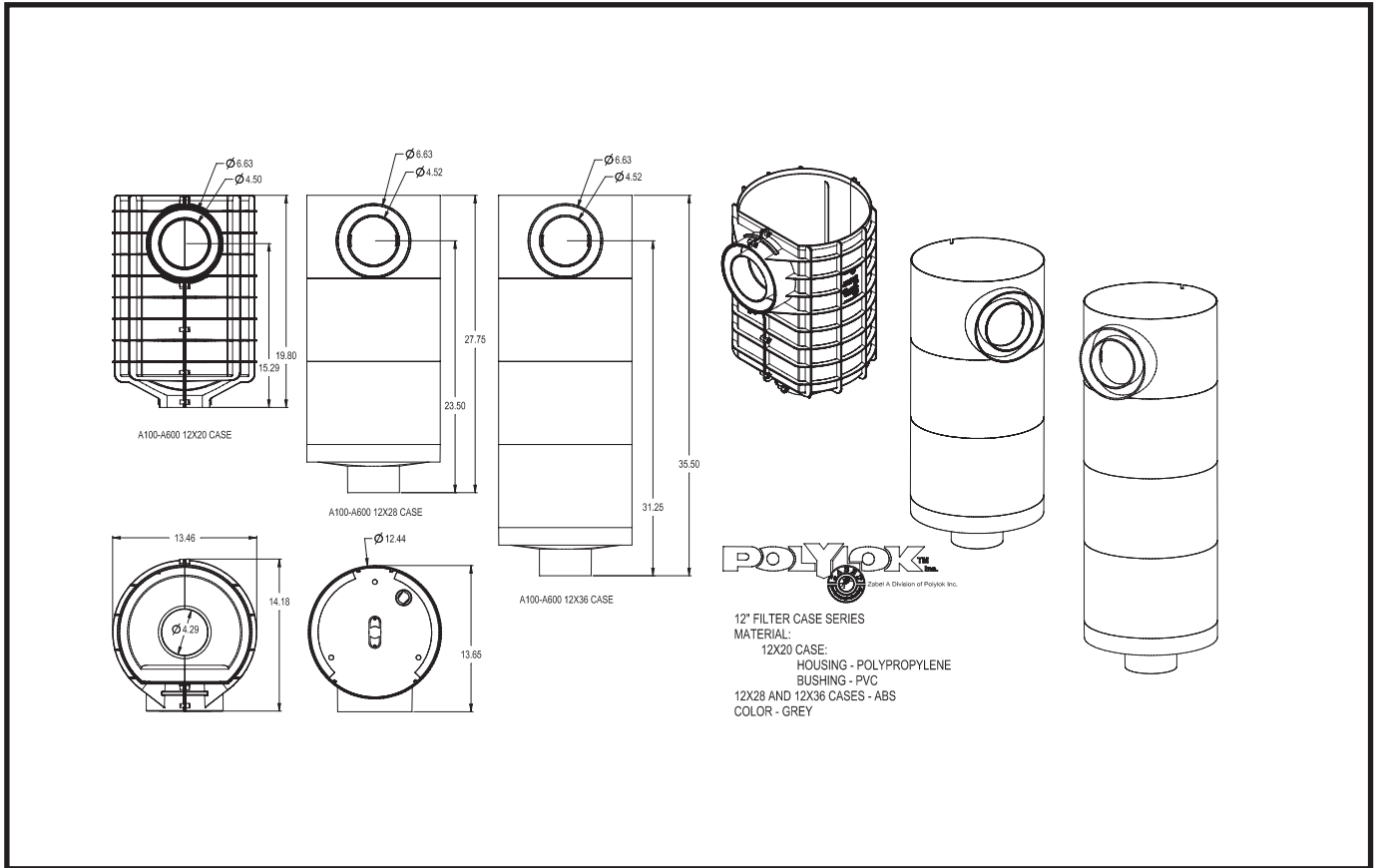
Polylok/Zabel  
 filters accept the  
 SmartFilter®  
 switch and alarm.



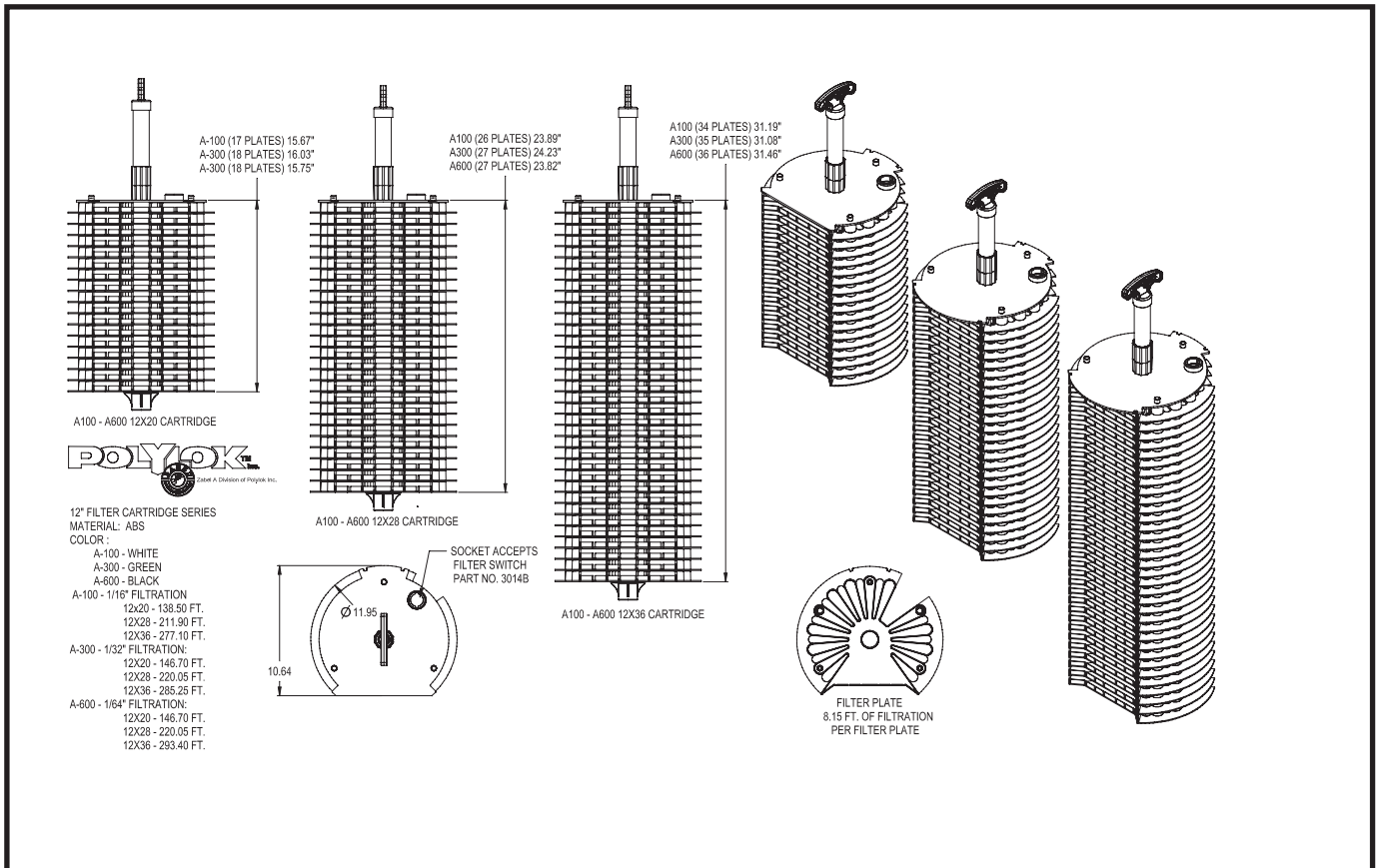
FEATURES	A1800 Series	A100 Series	A300 Series	A600 Series
Filtration	1/16"	1/16"	1/32"	1/64"
Gallons Per Day	800	2,500 - 10,000	1,700 - 7,900	1,000 - 4,500
Surface Area Filtration (sq.ft.)	1.21	4.21 - 18.93	4.49 - 18.55	4.49 - 19.23
SmartFilter® Switch and Alarm	Available	Available	Available	Standard
Available Filter Dimensions	4x18, 4x22	8x18, 8x26, 8x32 12x20, 12x28, 12x36	8x18, 8x26, 8x32 12x20, 12x28, 12x36	8x18, 8x26, 8x32 12x20, 12x28, 12x36
Disc Dam Technology		X	X	X
Extend & Lok Compatible	X	X	X	X
NSF Certification	X	X	X	X
Installed in Multiples for Larger Flows		X	X	X
<b>APPLICATIONS</b>				
Residential	X	X	X	
Residential Multi-Family	X	X	X	
Commercial		X	X	X
Grease Traps			X	X
High TSS Removal & CBOD5	X	X	X	X
<b>BENEFITS</b>				
Extends Life of Leaching Fields	X	X	X	X
Keeps Solids in Septic Tank	X	X	X	X
<b>POLYLOK COMPARABLE FILTERS</b>	<b>PL-68</b>	<b>PL-122 &amp; PL-525</b>	<b>PL-625</b>	

PATENTS: U.S.A. - 5,593,584 - 5,683,577 - 6,338,797 - 6,478,957 - 6,306,299 - 6,841,066 - 6,360,898 - 5,482,621 - 5,382,357 - 6,129,837 Canada - 2,403,930 - 2,135,937 Australia - 2001251377 - 134440 China - ZL01809204.7 Europe - 01924752.7 New Zealand - 521839 - 264824 Mexico - 201506 Israel - 111574

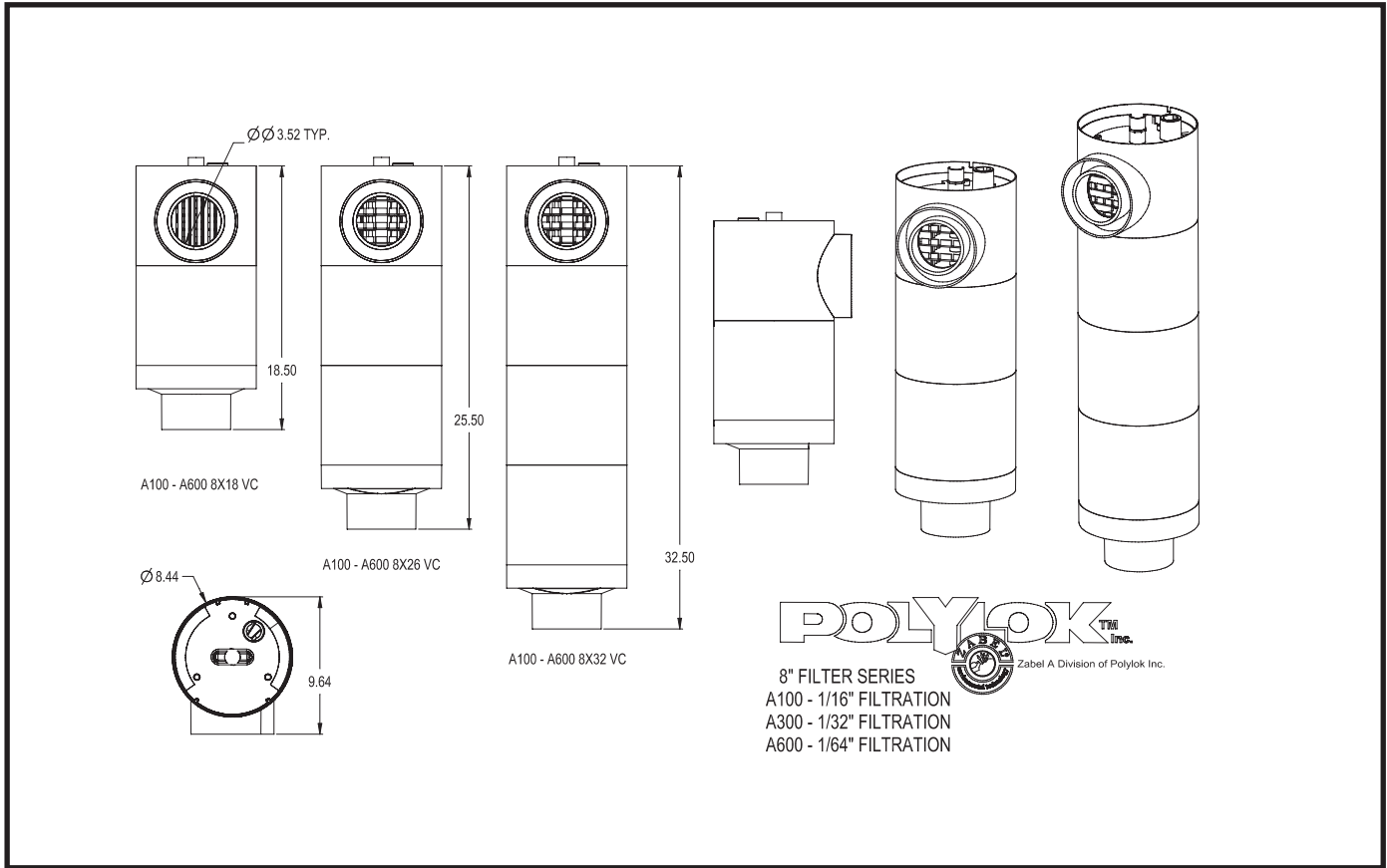
# ZABEL 12" CASES



# ZABEL 12" FILTER SERIES



# ZABEL 8" CASES



# ZABEL 8" FILTER SERIES

