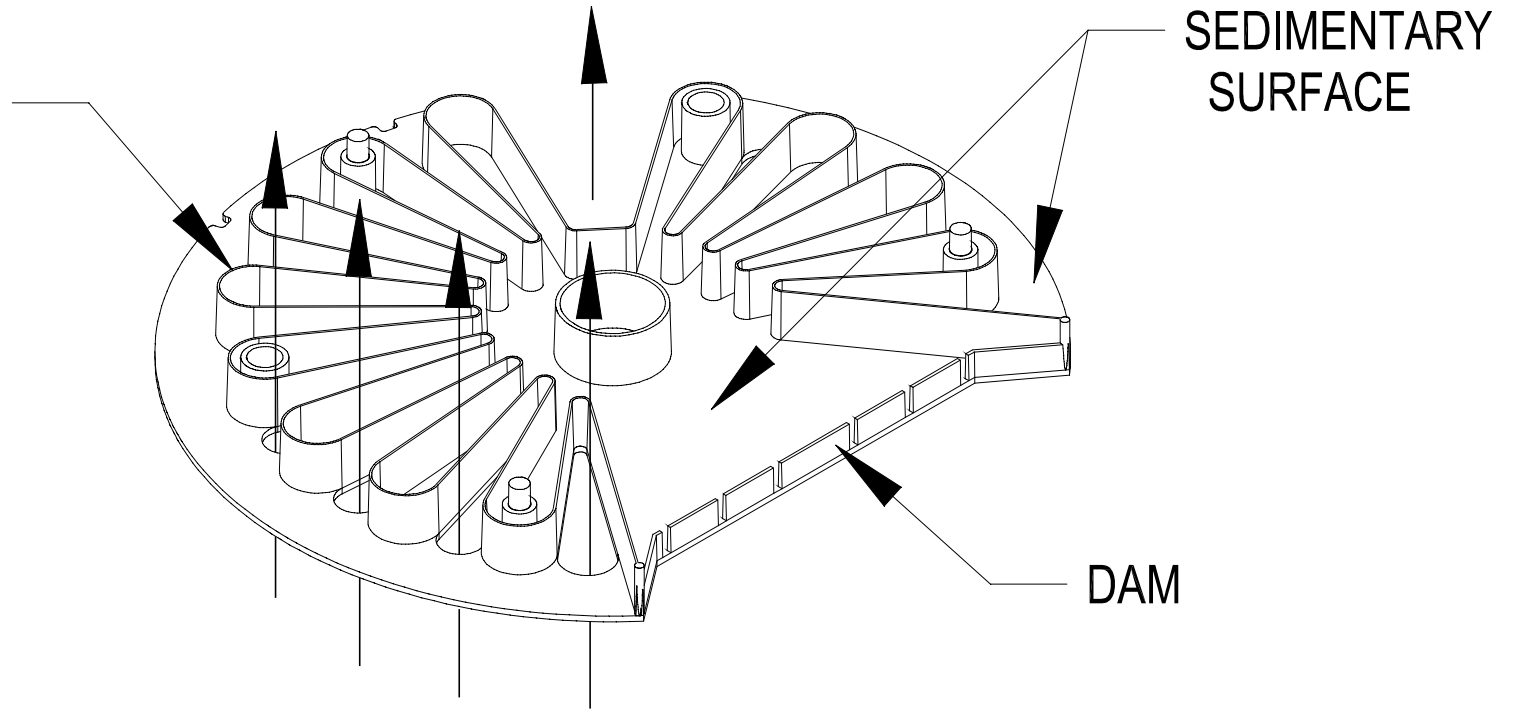


TYPICAL FILTER PLATE
73 SQ. IN. OF SEDIMENTARY AREA

FILTER SURFACE
8.15 FT. OF FILTRATION



EFFLUENT ENTERS THROUGH THESE
OPENINGS IN FILTER PLATES