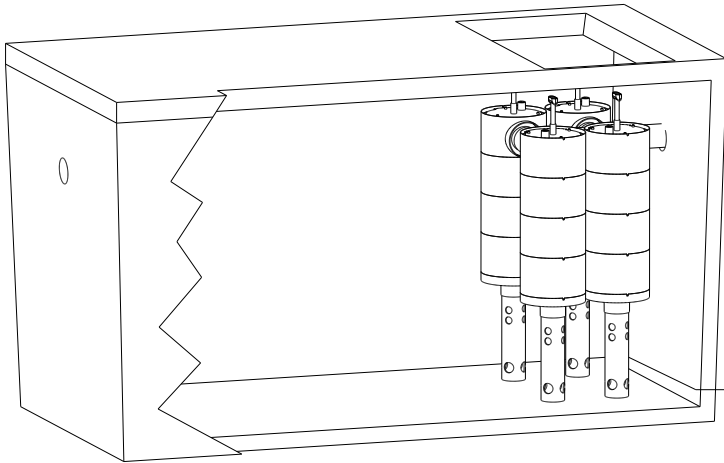
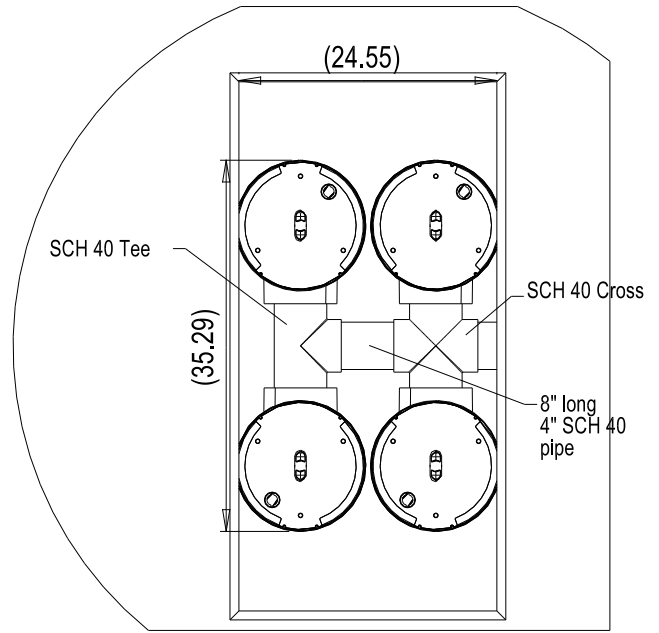


A



Supplemental Support pipe lengths will vary with tank depth.



DETAIL A
SCALE 1 : 15

PROPRIETARY AND CONFIDENTIAL
THE INFORMATION CONTAINED IN THIS
DRAWING IS THE SOLE PROPERTY OF
ZABEL INDUSTRIES INTERNATIONAL LTD.
ANY REPRODUCTION IN PART OR AS A
WHOLE WITHOUT THE WRITTEN
PERMISSION OF ZABEL INDUSTRIES
INTERNATIONAL LTD. IS PROHIBITED.

		DIMENSIONS ARE IN INCHES	NAME	DATE	Zabel Environmental Technology
		TOLERANCES:	DRAWN	TNJ	
		FRACTIONAL ±	CHECKED	TT	01-22-02
		ANGULAR: MACH ± BEND ±	ENG APPR.		
		TWO PLACE DECIMAL ±	MFG APPR.		
		THREE PLACE DECIMAL ±	Q.A.		
		MATERIAL	COMMENTS:		
NEXT ASSY	USED ON	FINISH	-		
APPLICATION		SCALE	1:30		
			Zabel A Division of Polylok Inc.		SIZE DWG. NO.
			60 CAPITAL DRIVE WALLINGFORD, CT 06492 1-877-765-8565 FAX (203) 284-8514 www.zabelzone.com		A (4) A100-12x36-VC in tank
			SCALE: 1:10	WEIGHT:	SHEET 1 OF 1