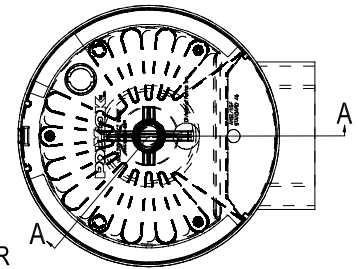
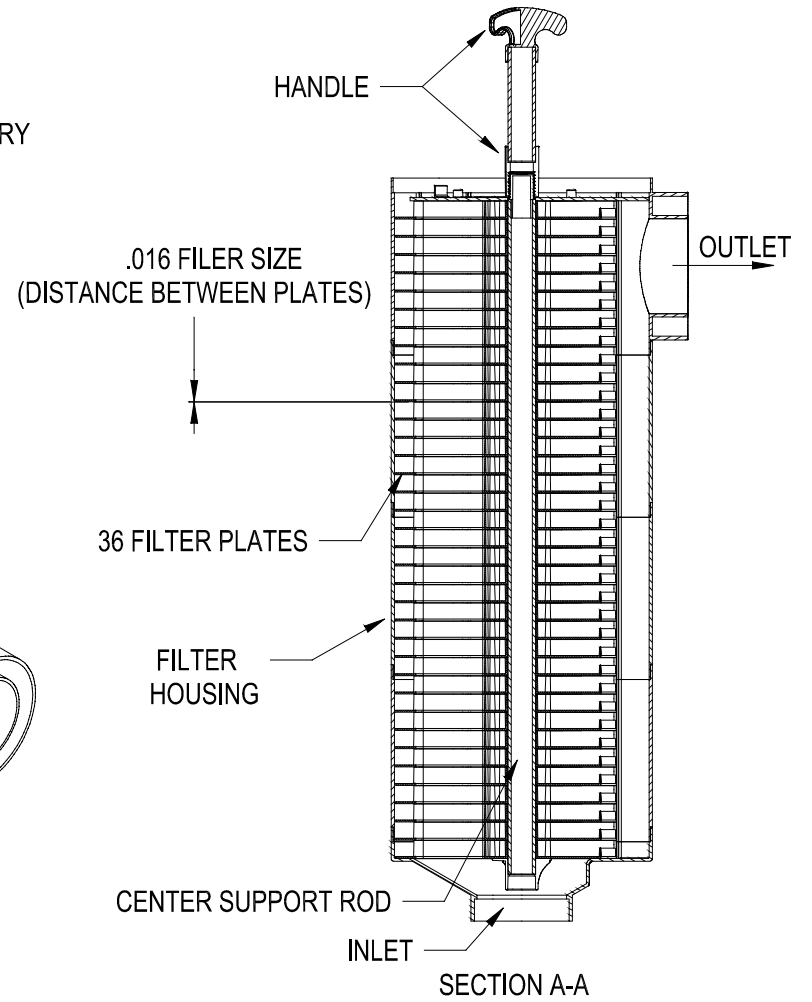
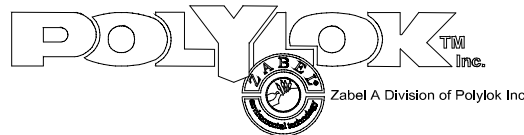
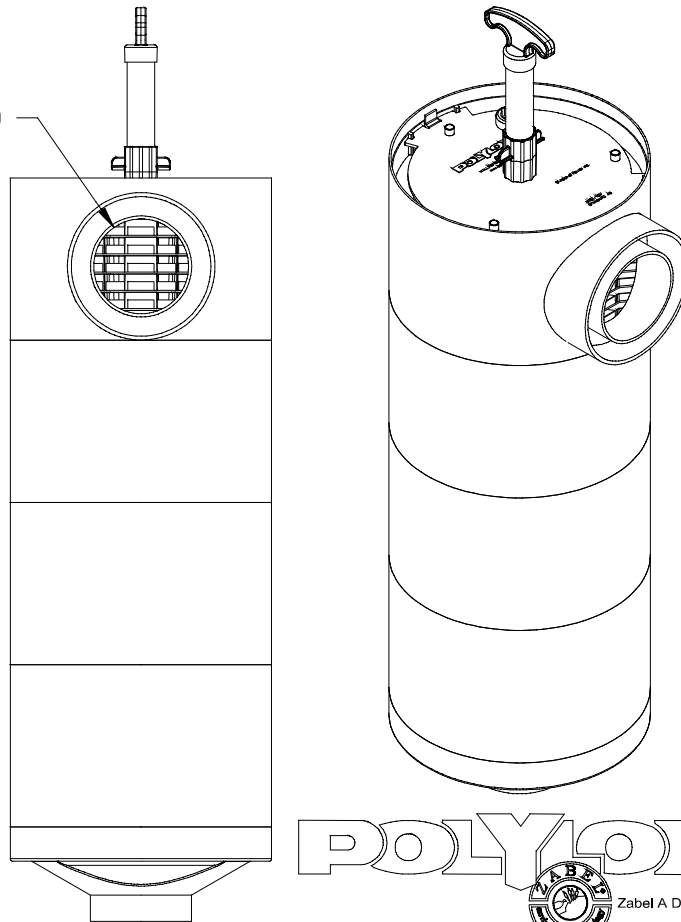
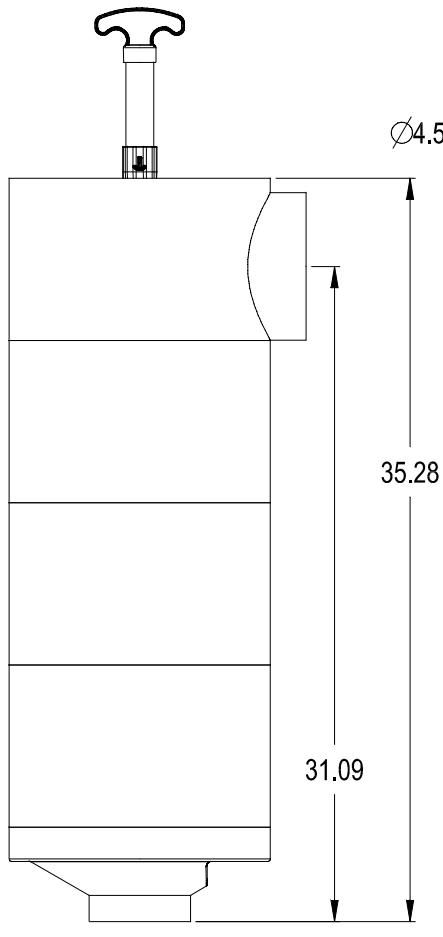
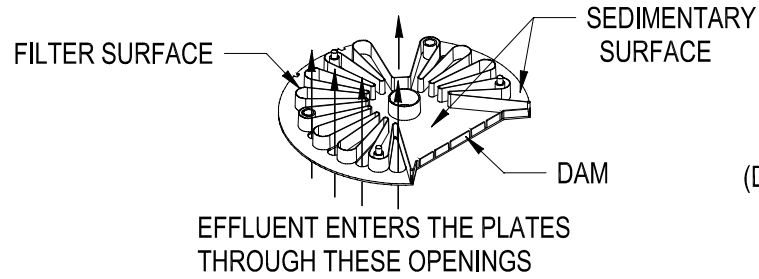


TYPICAL FILTER PLATE
8.15 FT OF FILTRATION
73 SQ. IN. OF SEDIMENTARY AREA



A600 12 x 36 FILTER
MATERIAL: ABS
FILTER SIZE - 1/64" (.04 CM) FILTRATION:
LENGTH OF FILTRATION - 293.40' (89.43 METERS)