



A100 Filter

A100 Filter 1/16" Filtration 8" and 12" Diameter

This filter is ideal for larger homes, multi-family homes or light commercial settings where increased flows or higher quality effluent is required. The A100-8 Series is sized to handle flow rates from 2500 to 5100 GPD and is available in three different lengths. The A100-12 Series, installed in more locations than any other filter on the market, is sized to handle flow rates from 5700 to 10000 GPD. The A100-12 Series can be used in almost any application. Independent research has shown the A100-12 series decreases TSS by 50-90% and CBOD5 by 20-40%. With 1/16" filtration, the A100-8 Series filter is available in 18", 26" and 32" lengths. The A100-12 Series filter is available in 20", 28" and 36" lengths.



A300 Filter

A300 Filter 1/32" Filtration 8" and 12" Diameter

The finer 1/32" level of filtration achieved with the A300-8 filter makes this the perfect effluent filter for small grease trap applications, dog kennels, laundromats and other applications where fine suspended solids are present. The A300 series offers flow rates of 1700-7900 GPD. The A300-12 Series provides 1/32" filtration and has been shown to reduce FOG by as much as 50-98%. The A300-12 series offers flow rates of 3000-6000 GPD. The A300-12 is also used for onsite wastewater systems which require a finer level of TSS removal. The A300-8 Series filter is available in 12", 26" and 32" lengths. The A300-12 Series filter is available in 20", 28" and 36" lengths.



A600 Filter

A600 Filter 1/64" Filtration 8" and 12" Diameter

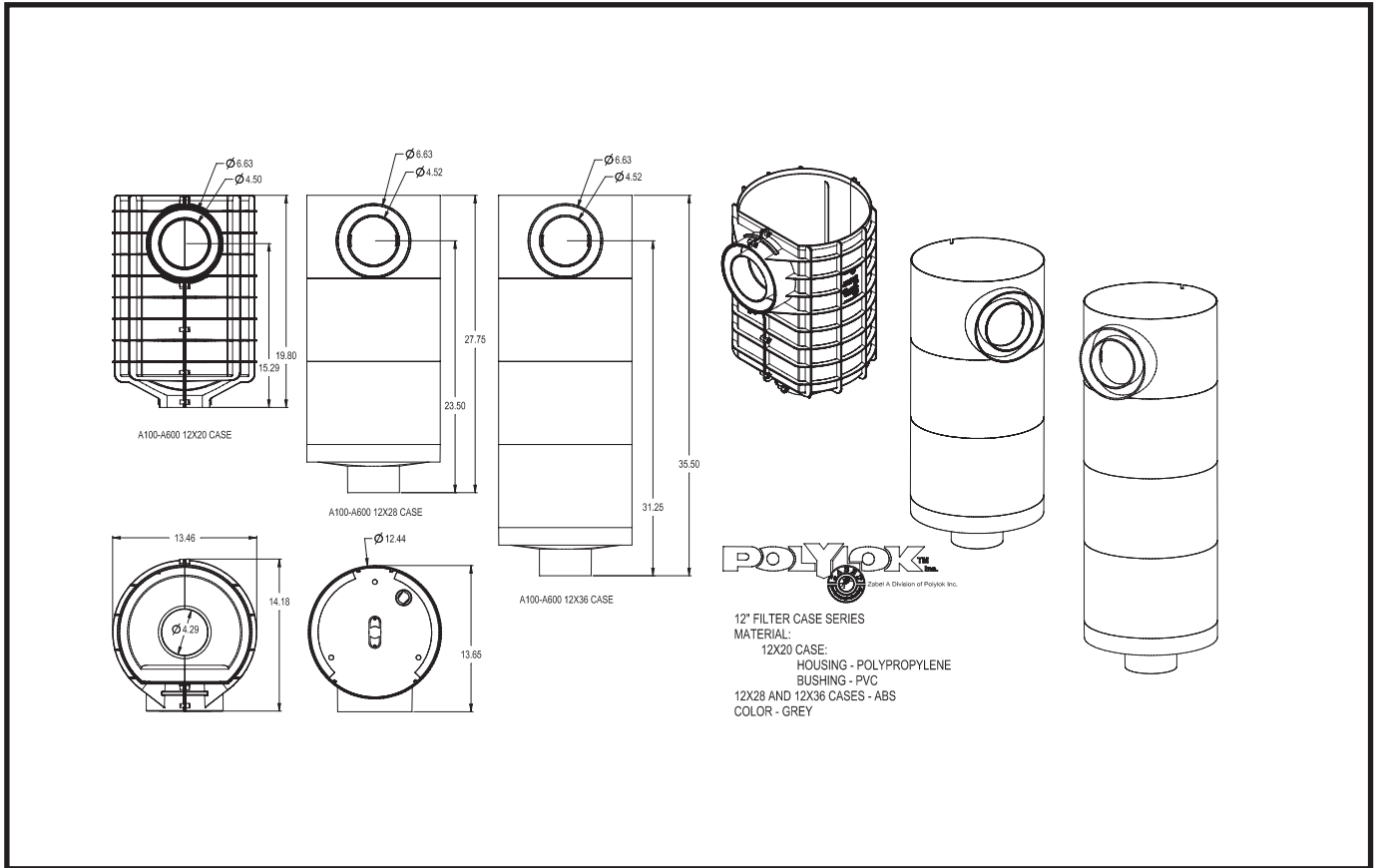
The A600 is ideal for specialty applications where very fine filtration is required and low flows are expected. Due to fine, 1/64" level filtration, every A600 comes equipped with a SmartFilter® switch and alarm. The SmartFilter® switch provides notification of required filter servicing through the use of both an audible and visual alarm. A minimum of a 3" drop is required in the tank for proper SmartFilter® operation. The A600-8 Series filter is available in 18", 26" and 32" lengths. The A600-12 Series is available in 20", 28" and 36" lengths. The A600 offers flow rates between 1000-4500 GPD.



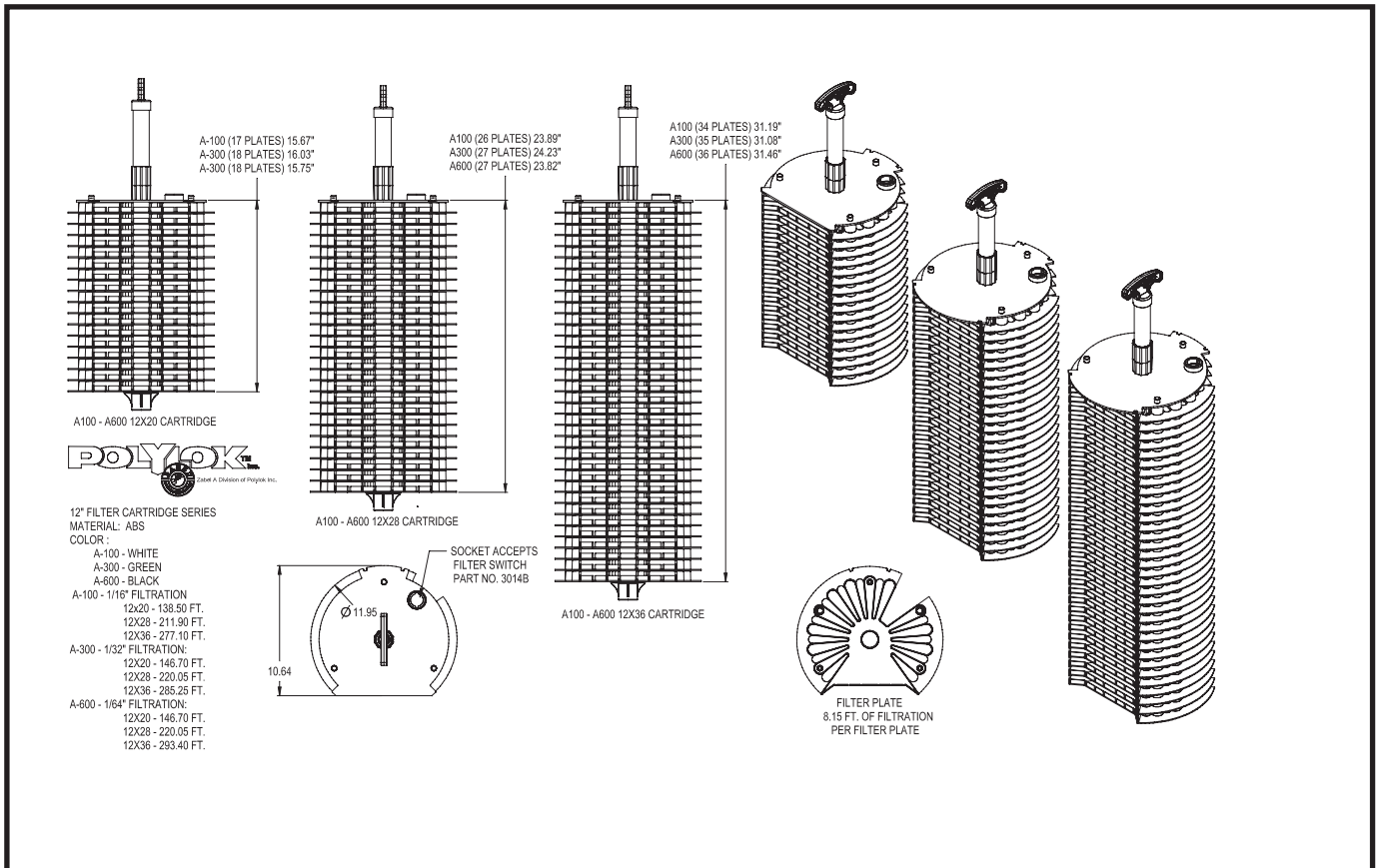
Outdoor SmartFilter® Alarm

Polylok, Zabel & Best filters accept the SmartFilter® switch and alarm.

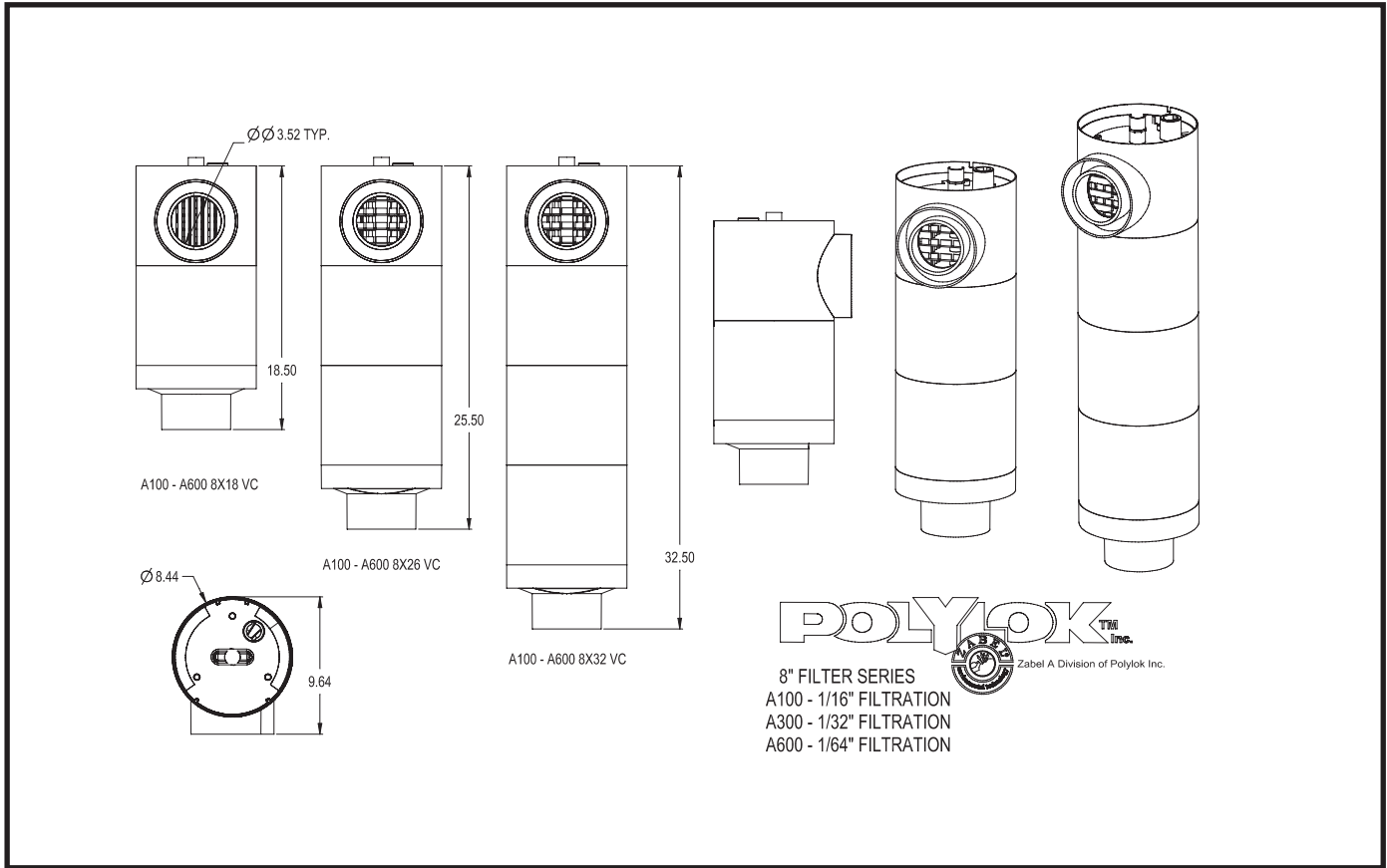
ZABEL 12" CASES



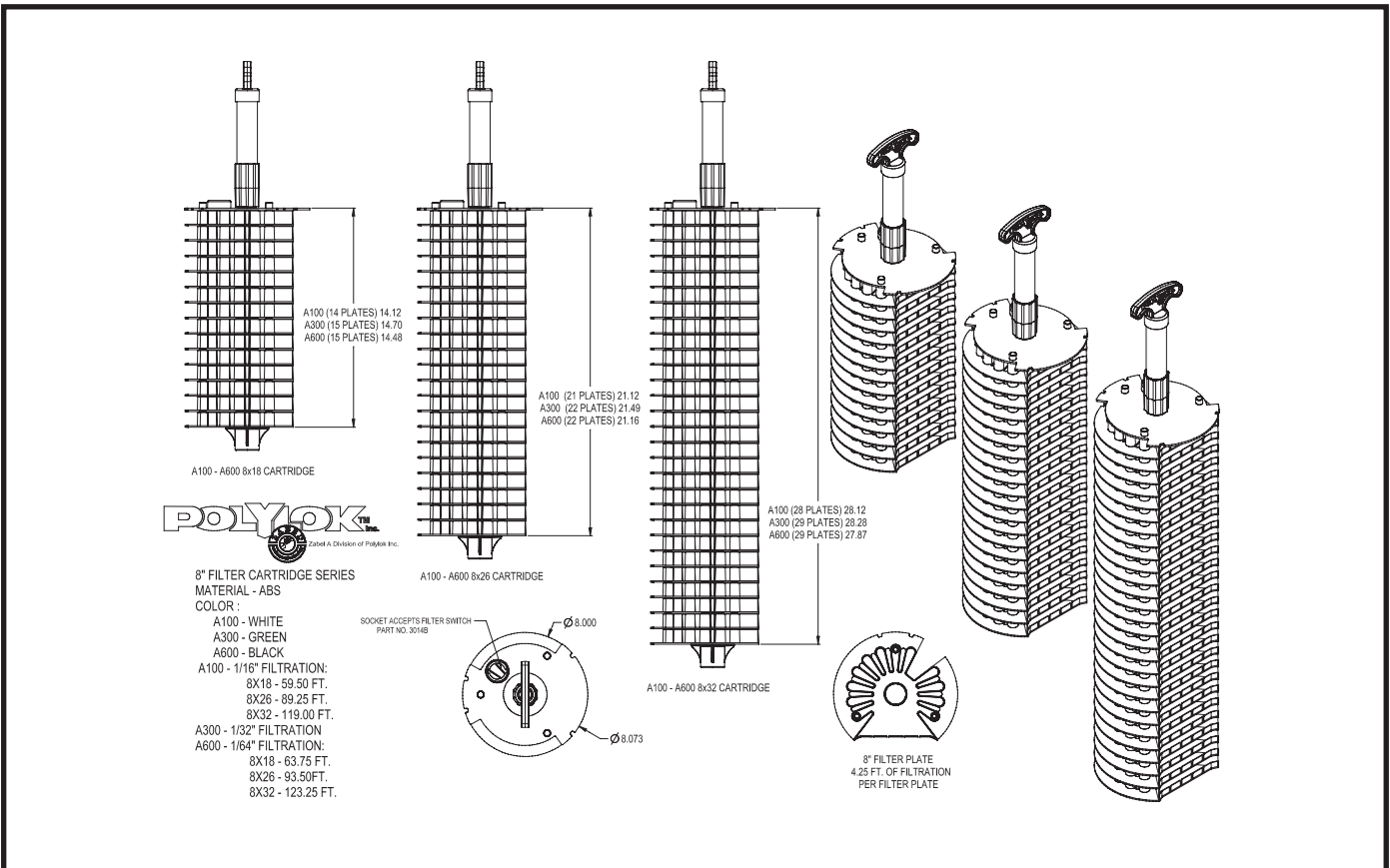
ZABEL 12" FILTER SERIES



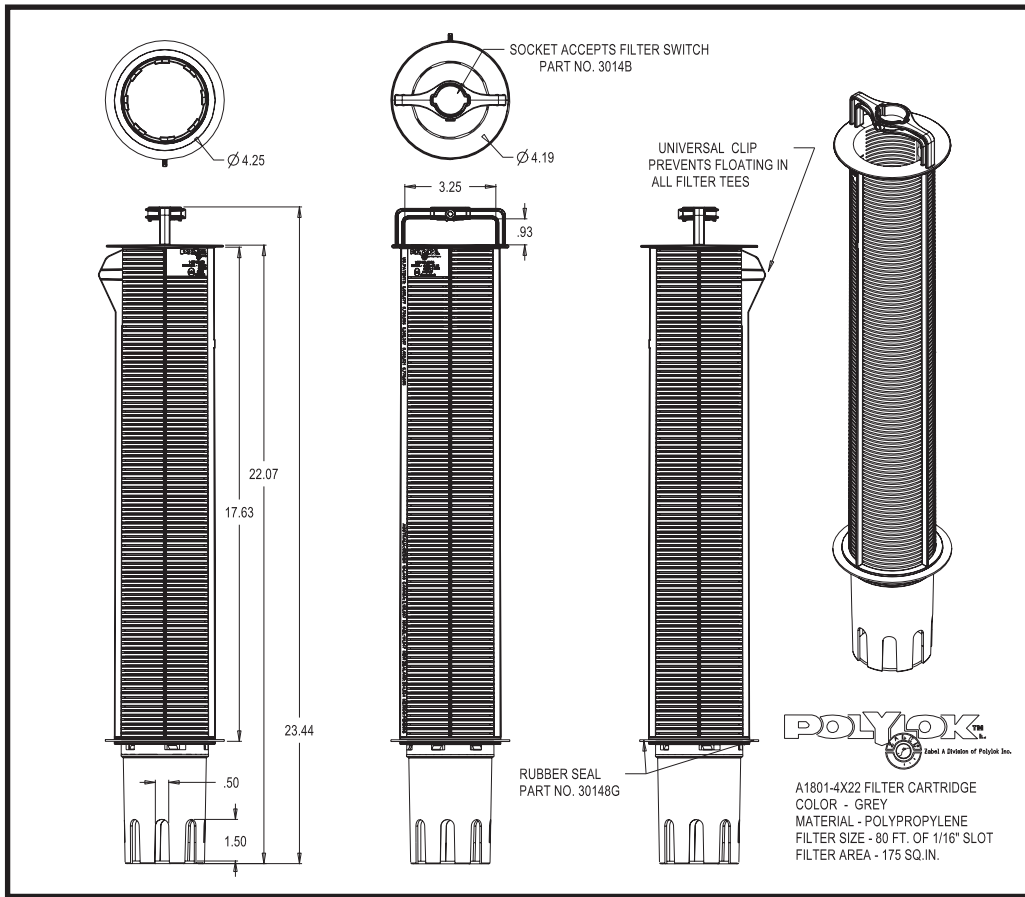
ZABEL 8" CASES



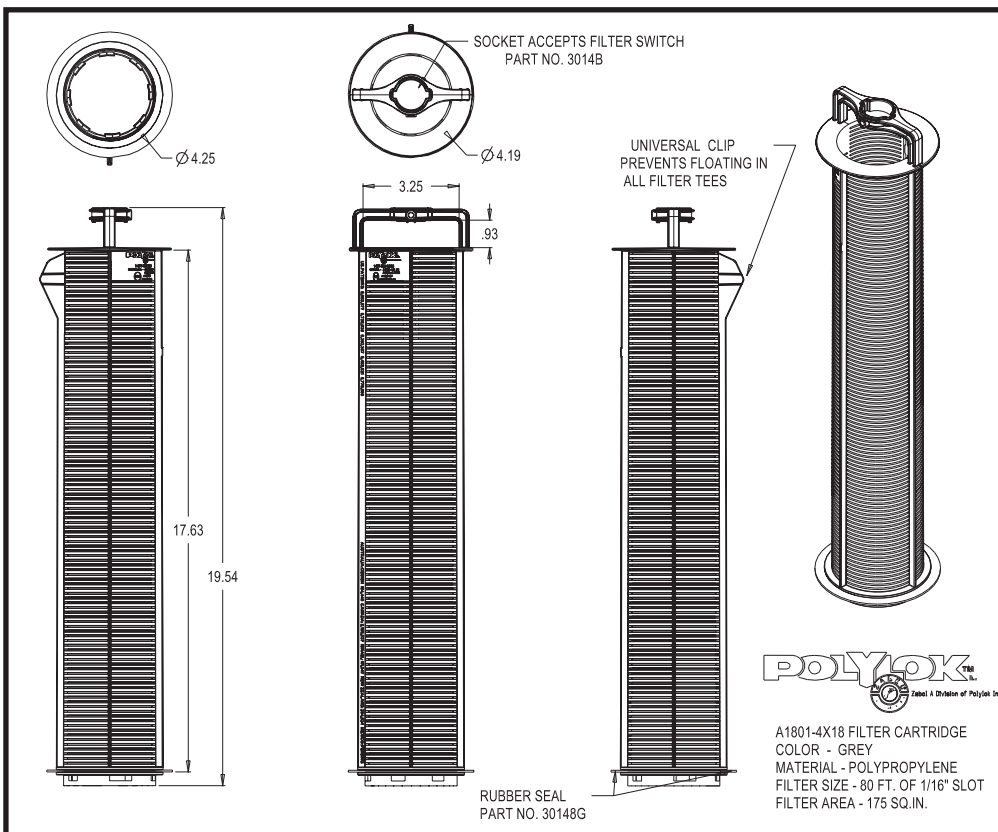
ZABEL 8" FILTER SERIES



A1801- 4 x 22 CARTRIDGE



A1801- 4 x 18 CARTRIDGE



GDS-VT VERSA-TEE

ASSEMBLED TEES
PART NO. GDS-VT-B35 (SDR 35)
GDS-VT-B40 (SCHD 40)

VERSATEE
PART NO. GDS-VT

POLYLOK™
Zabel A Division of Polylok Inc.

BEST 10" FILTER

BEST TECHNOLOGY
10" FILTER CASE AND CARTRIDGE
PART NO'S. GF10-8
GF10-16
GF10-32

FILTER PLATE
5,8 FT. OF FILTRATION
PER FILTER PLATE

SOCKET IN HANDLE ACCEPTS
1" SCHD. 40 PIPE.

4" SCHD 40 SOCKET

11,17 DIA.

OPTIONAL WALL SUPPORT
1" SCHD 40 SOCKET

OPTIONAL HANDLE EXTENSION
AVAILABLE FOR 1" SCHD 40 PIPE
PART NO. - 3014-H FILTER HANDLE

GF10-8
16 FILTER PLATES
92,93 FT OF 1/8" FILTRATION

GF10-16
17 FILTER PLATES
98,74 FT OF 1/16" FILTRATION

GF10-32
17 FILTER PLATES
98,74 FT OF 1/32" FILTRATION