

POLYLOK™ Inc.

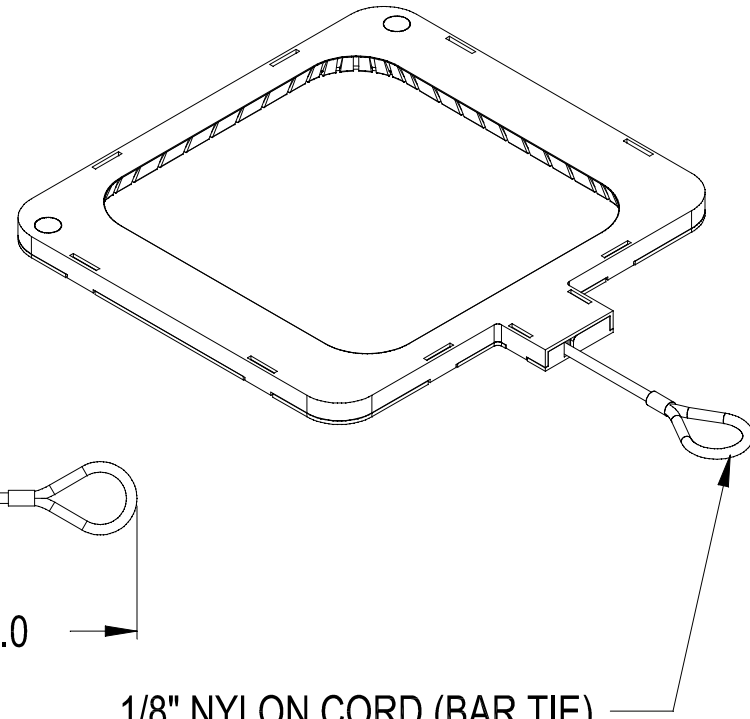
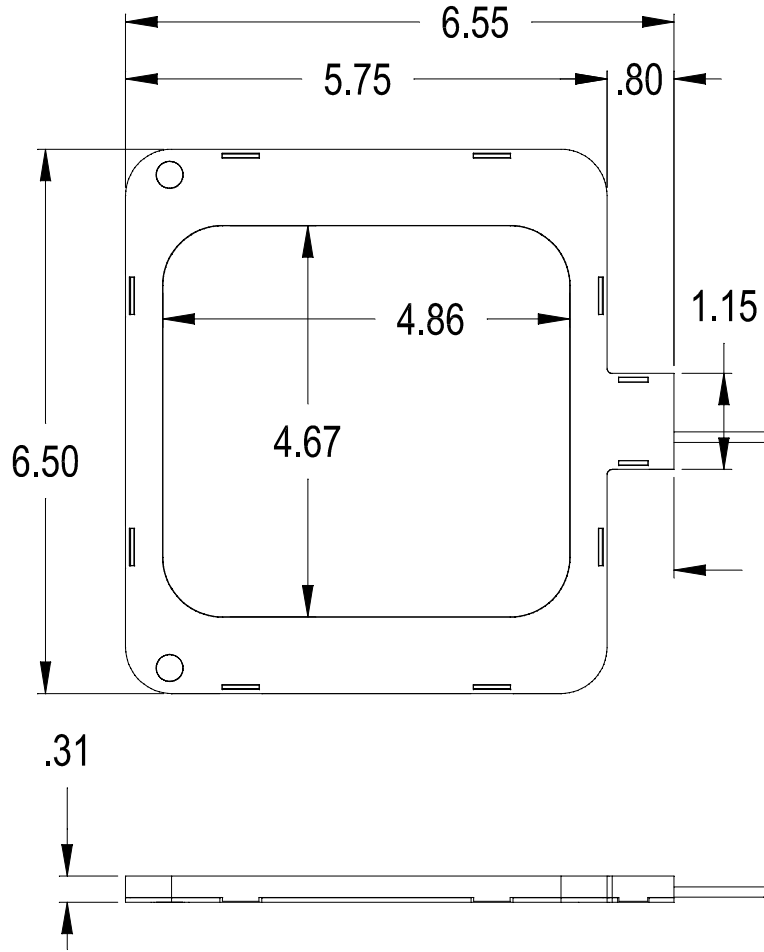
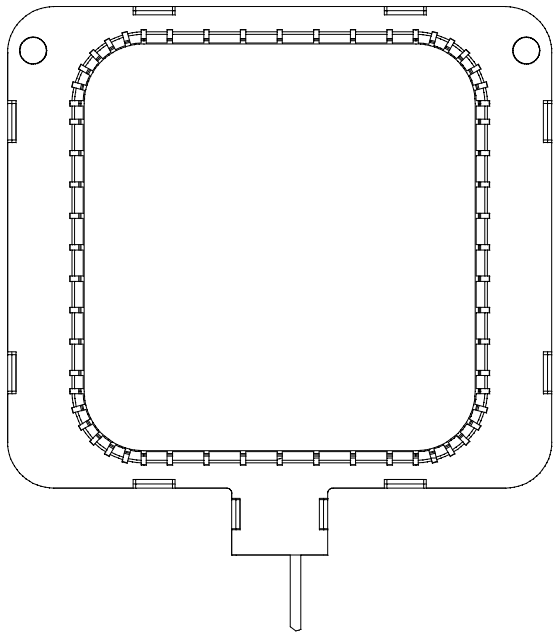


Zabel A Division of Polylok Inc.

8" REBAR-LOK

PART NO. 3064-8

MATERIAL - HIGH IMPACT POLYSTYRENE



1/8" NYLON CORD (BAR TIE)
200 LBS. BREAK STRENGTH

