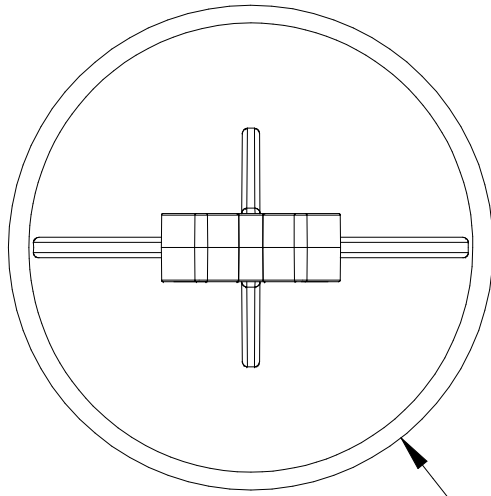


POLYLOK 3" REBAR MESH CHAIR  
PART NO. 3060-TMC300  
MATERIAL - POLYPROPYLENE



Ø2.81  
[7.1 cm]

