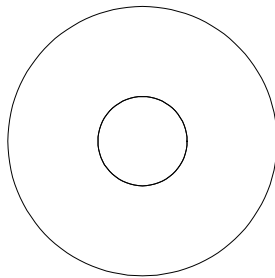
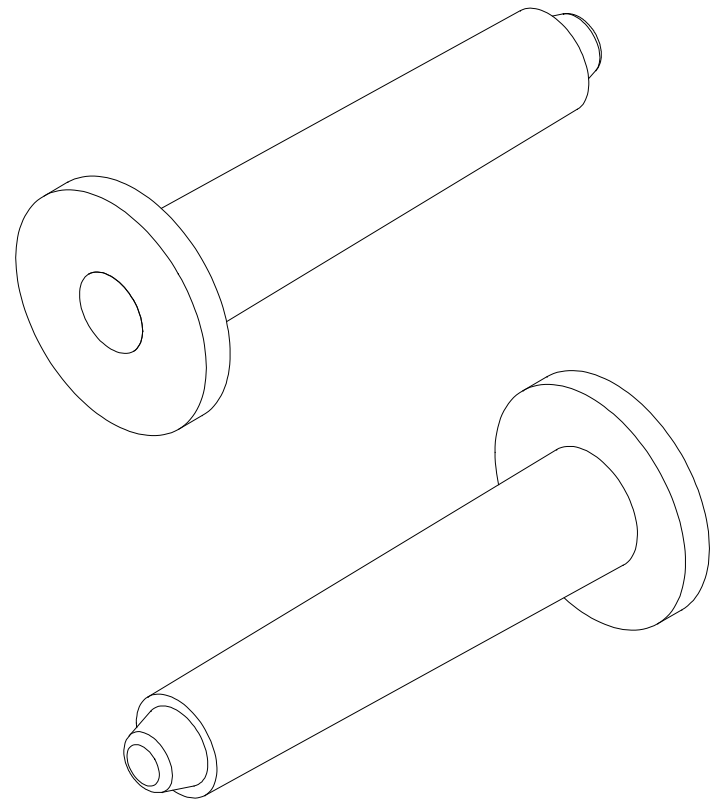


**THIS DIA. IS A PRESS FIT FOR  
A DRILLED 5/16" HOLE**



**POLYLOK MOLD FASTENING NAILS  
PART NO. 30401  
MATERIAL - HIGH IMPACT STYRENE**