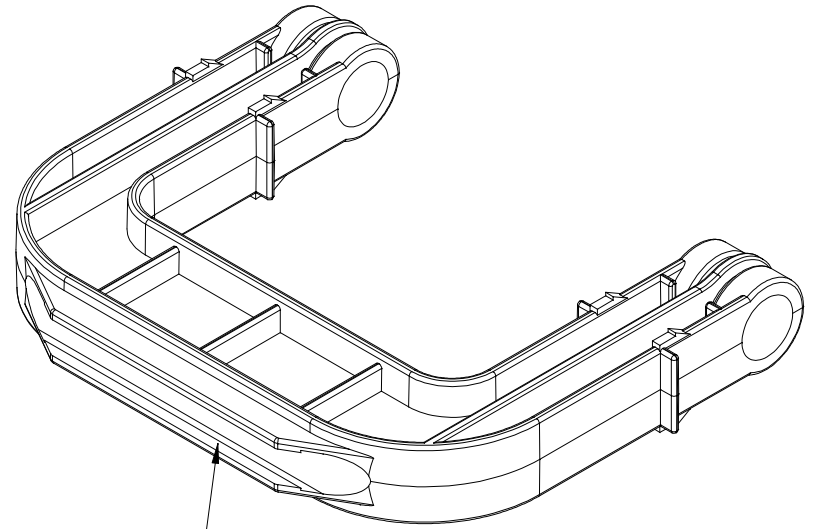
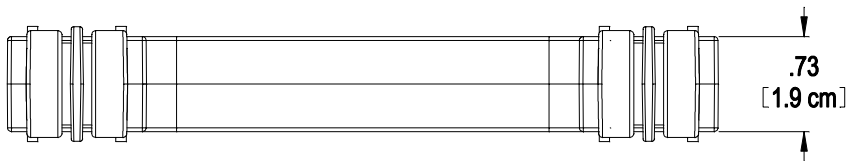
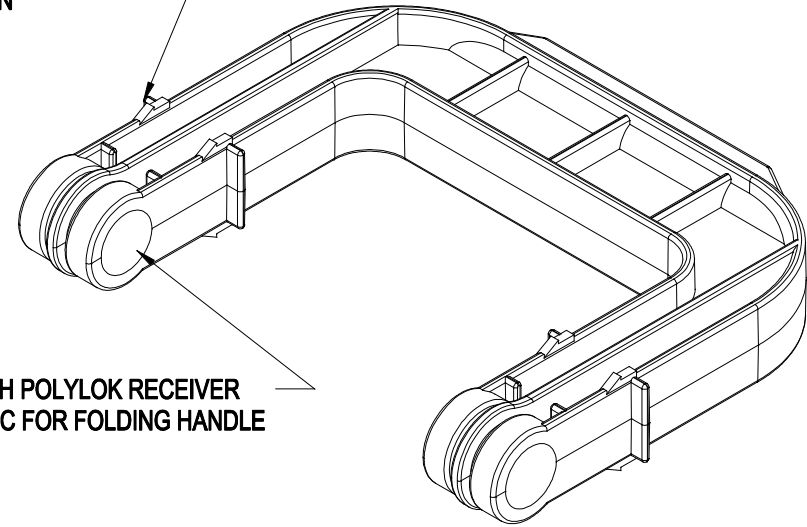


**POLYLOK HANDLE**  
**PART NO. 3551**  
**MATERIAL - HDPE**



SNAP IN 3/8" REBAR HERE  
 FOR METAL DETECTION

HANDLE ACCEPTS SNAP ON SIGNS



CAN BE USED WITH POLYLOK RECEIVER  
 PART NO. 3047-REC FOR FOLDING HANDLE

$\varnothing$ .55  
 [1.4 cm]

