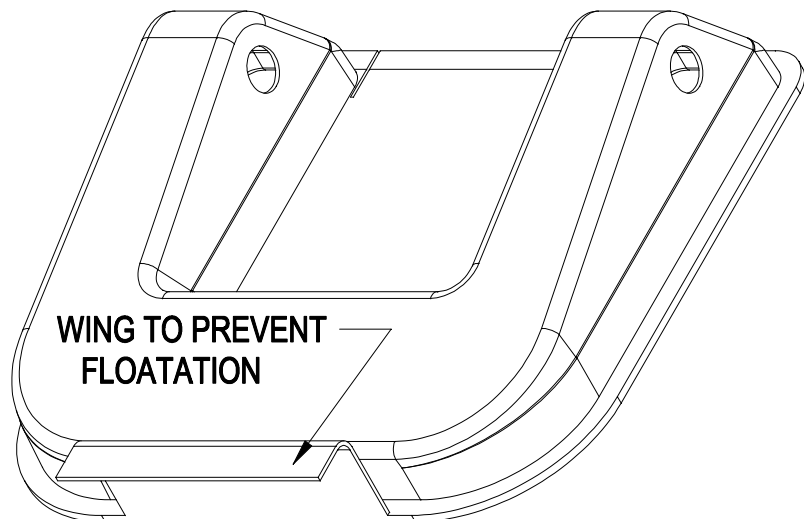
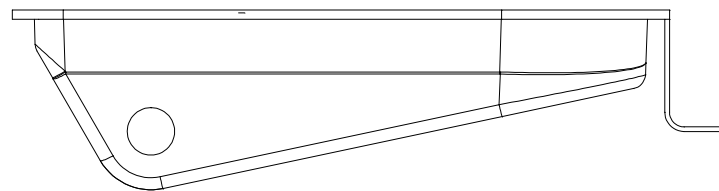


MARKING SURFACE FOR RECORDING SERVICE DATES

REMOVABLE COMPARTMENT TAB

USE WITH # 3 BAR FOR FLUSH HANDLE



POLYLOK HANDLE RECEIVER
 PART NO. 3047-REC
 MATERIAL - POLYPROPYLENE
 USED WITH PART NO.- 3551
 COLOR - YELLOW