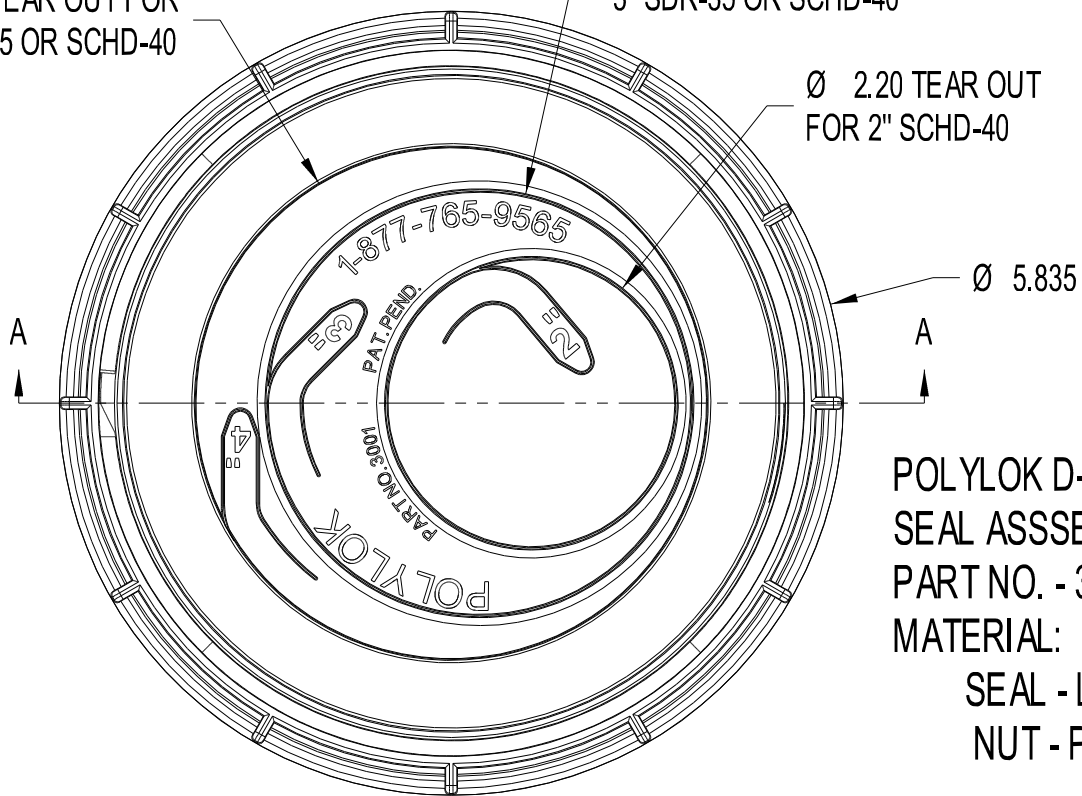


Ø 3.90 TEAR OUT FOR  
4" SDR-35 OR SCHD-40

Ø 3.20 TEAR OUT FOR  
3" SDR-35 OR SCHD-40

Ø 2.20 TEAR OUT  
FOR 2" SCHD-40

CUT AT KNOTCHES  
FOR 4" CORRUGATED PIPE



POLYLOK D-BOX  
SEAL ASSEMBLY  
PART NO. - 3001  
MATERIAL:  
SEAL - LLDPE  
NUT - PP

