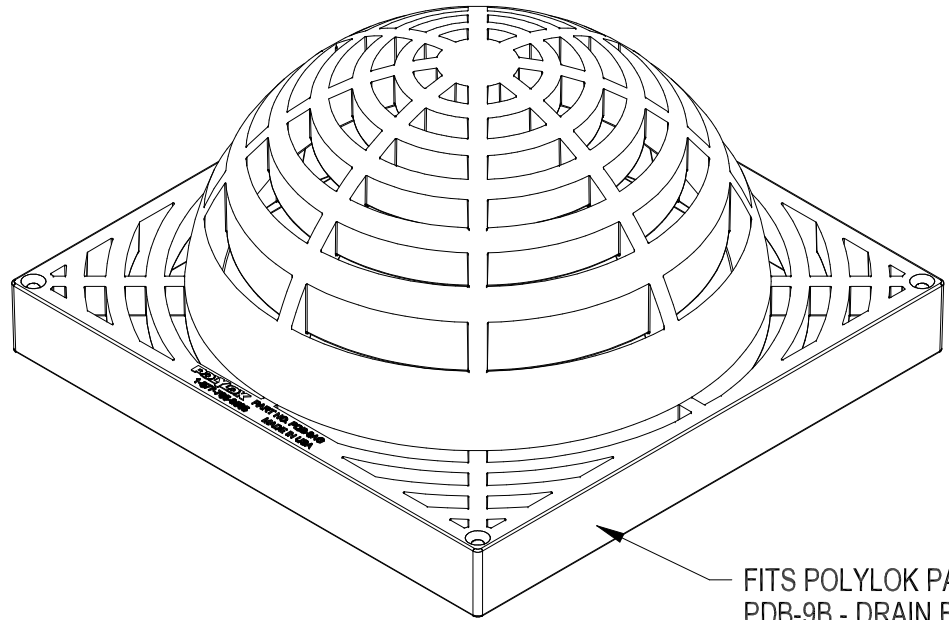


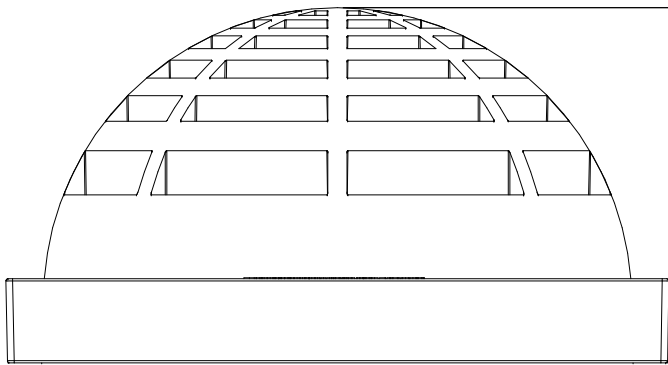
8.87  
[22.5 cm]

8.87  
[22.5 cm]

POLYLOK 9 X 9 ATRIUM GRATE  
PART NO. PDB-9AG  
MATERIAL - POLYPROPYLENE  
COLOR - BLACK  
TOTAL OPEN AREA - 33SQ. IN.[213 SQ. CM]  
FLOW RATE - 98.5 GPM



FITS POLYLOK PART NO.:  
PDB-9B - DRAIN BOX  
PDB-9BL



3.63  
[9.2 cm]

4.75  
[12.1 cm]

1.13  
[2.9 cm]

