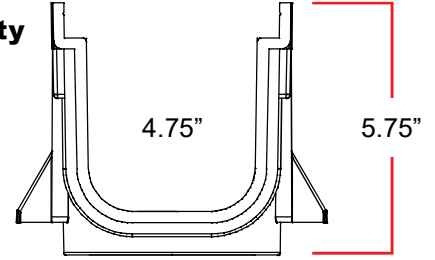


Polylok 4' Heavy Duty Trench Drains

PART NUMBERS:

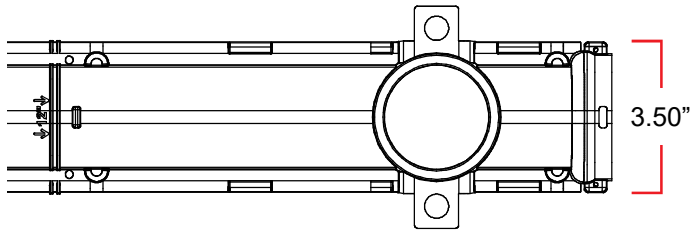
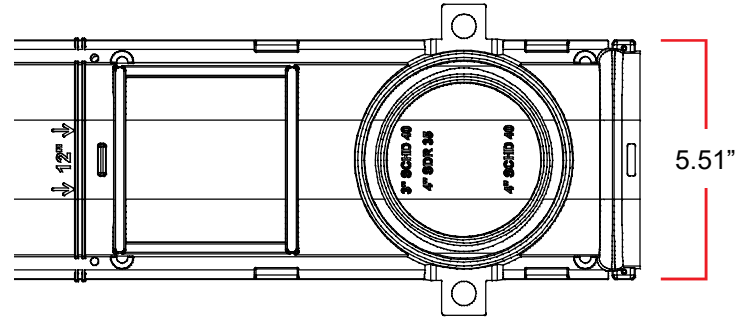
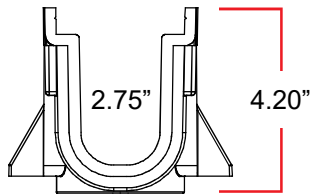
- PL-90860 (Black)
- PL-90860-G (Grey)
- PL-90860-GR (Green)
- PL-90860-TN (Tan)
- PL-90860-CI (Ductile)



Polylok 4' Skinny Trench Drains

PART NUMBERS:

- PL-90861 (Black)
- PL-90861-G (Grey)



OPEN END OUTLETS

- PL-90860-OE (Black)
- PL-90860-OEG (Grey)
- PL-90860-OEGR (Green)
- PL-90860-OET (Tan)

END CAPS

- PL-90860-CE (Black)
- PL-90860-CEG (Grey)
- PL-90860-CEGR (Green)
- PL-90860-CET (Tan)

TEE

- PL-90860-T (Black)
- PL-90860-TG (Grey)
- PL-90860-TGR (Green)
- PL-90860-TAN (Tan)
- PL-90860-T-DIG (Ductile)

90° CORNER

- PL-90860-90 (Black)
- PL-90860-90G (Grey)
- PL-90860-90GR (Green)
- PL-90860-90T (Tan)
- PL-90860-90-DIG (Ductile)

OPEN END OUTLETS

- PL-90861-OE (Black)
- PL-90861-OEG (Grey)

END CAPS

- PL-90861-CE (Black)
- PL-90861-CEG (Grey)

LEAF GUARDS

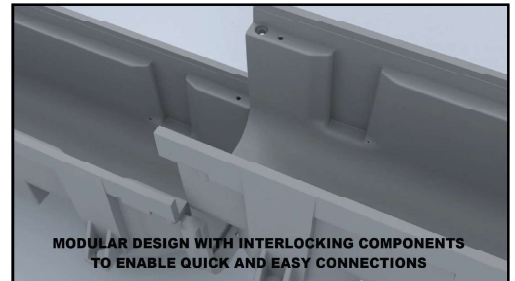
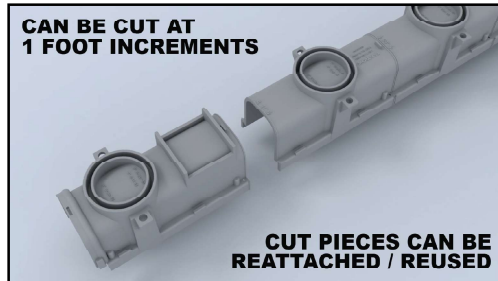
- PAG-2T (2")

LEAF GUARDS

- PAG-3T (3")
- PAG-4T (4")

CORRUGATED PIPE ADAPTERS

- PL-90860-A43 (3")
- PL-90860-V44 (4")



▲ 1 Skinny trench drains: each port will accept 2" sch 40 pipe only

▲ 2 Feature not available on the skinny trench drains