



PYRAMID WIRE CLIPS

Polylok's non-corrosive heavy duty pyramid wire clips are perfect for wire mesh that aren't of equal spacing and in pipe where cages are made on a cage machine. Our pyramid wire clips design allows unimpeded concrete flow with minimal frame work contact.

FEATURES

- Positioners to prevent sliding
- Heavy duty
- Perfect for precast slabs and beams
- Easy attachment
- Ideal for small diameter pipe
- Locks securely to wire
- Each spacer fits W1.4 - W6

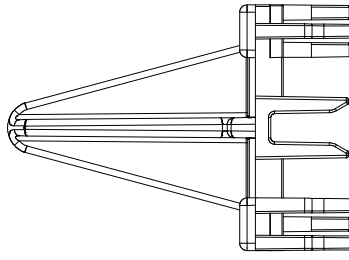
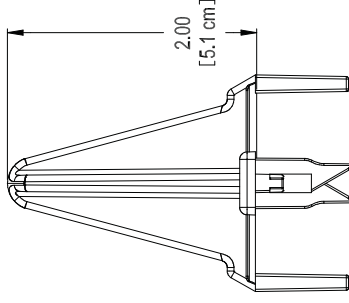
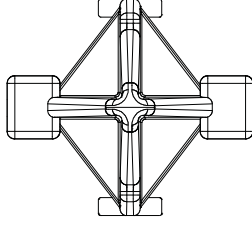
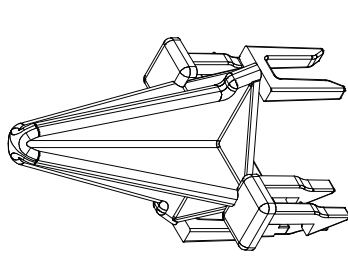
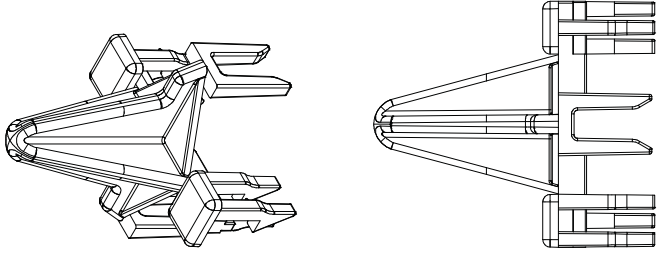
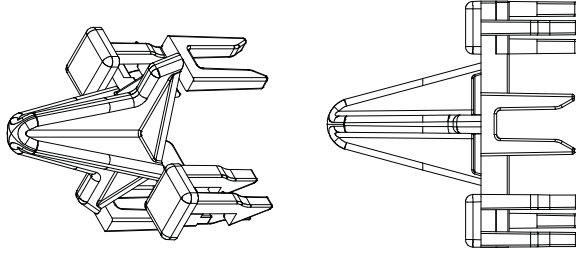
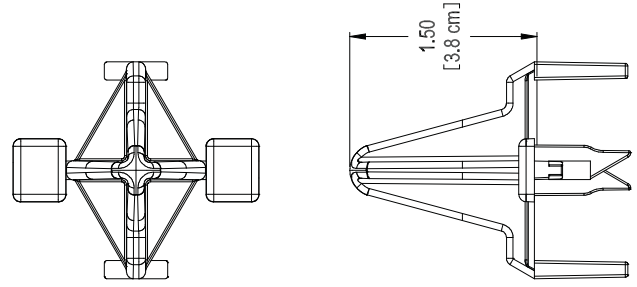
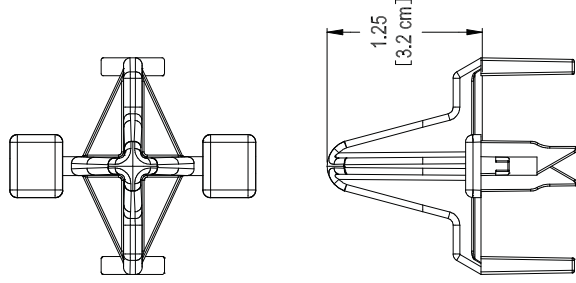
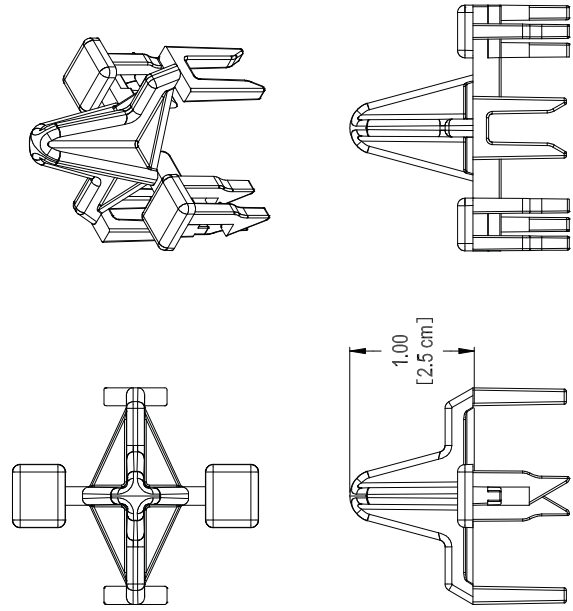
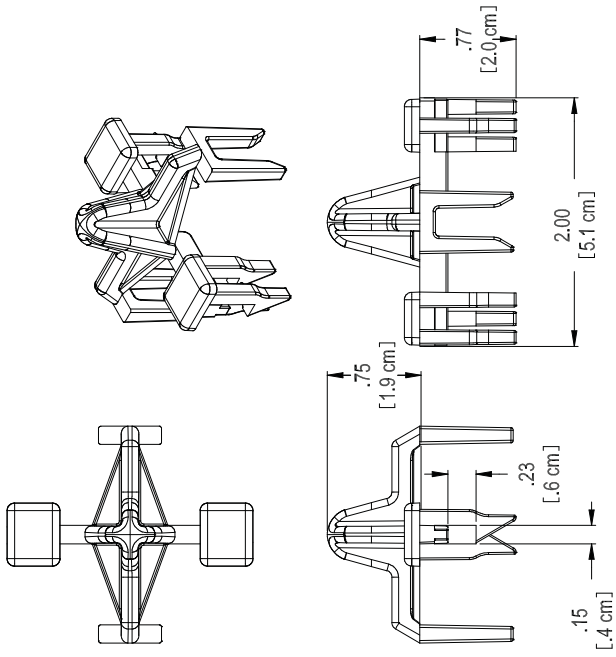
PART NUMBERS

- 3057-75 (3/4")
- 3057-15 (1 1/2")
- 3057-1 (1")
- 3057-2 (2")
- 3057-125 (1 1/4")



Pyramid clips on a round wire cage.





POLYLOK PYRAMID WIRE CLIPS
PART NO. COVERS:

3/4" - 3057-75

1" - 3057-1

1 1/4" - 3057-125

1 1/2" - 3057-15

2" - 3057-2

FITS WIRE SIZES - W1.4 - W6

MATERIAL - HDPE

COLOR - GREY