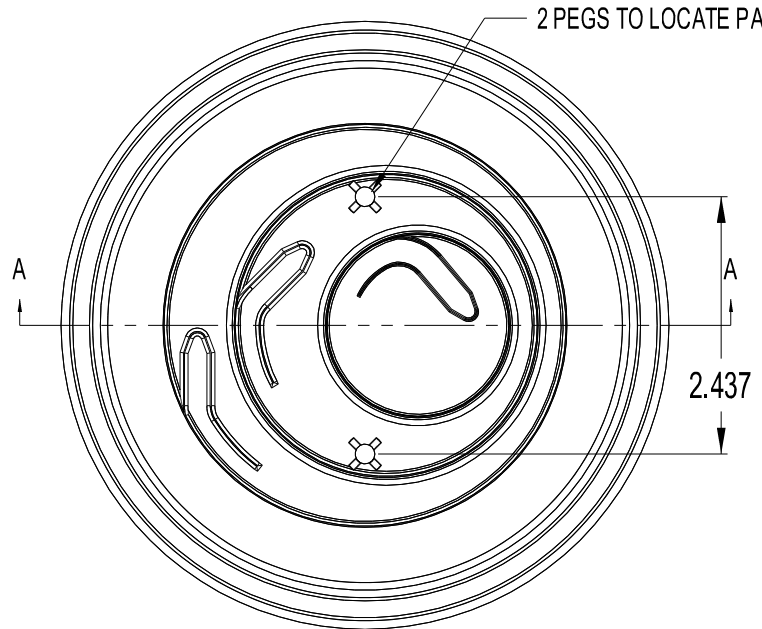
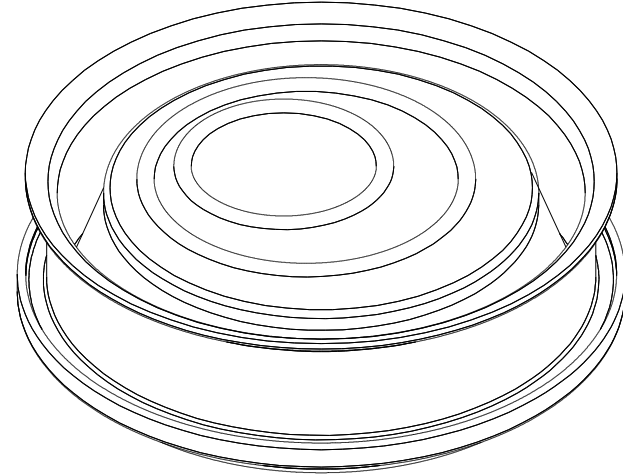
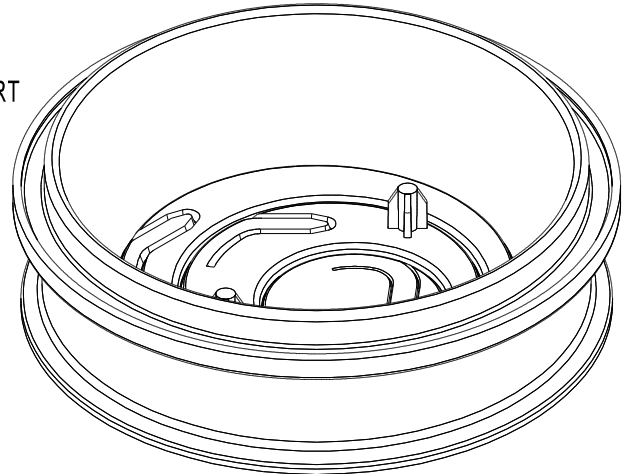
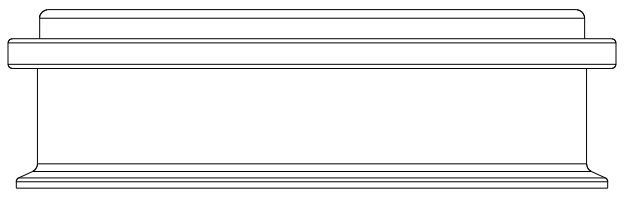


BOTTOM VIEW



TOP VIEW



Polylok Type II Seal
 Part No. - 3002
 Material - EVA