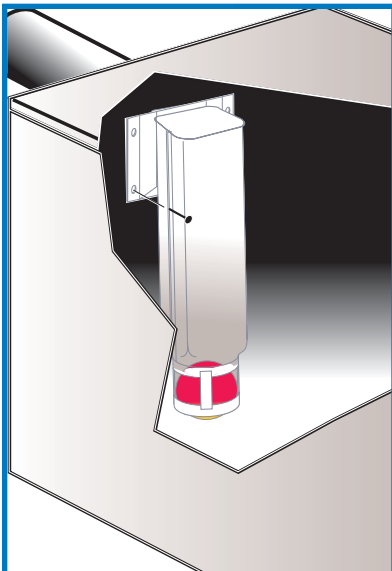




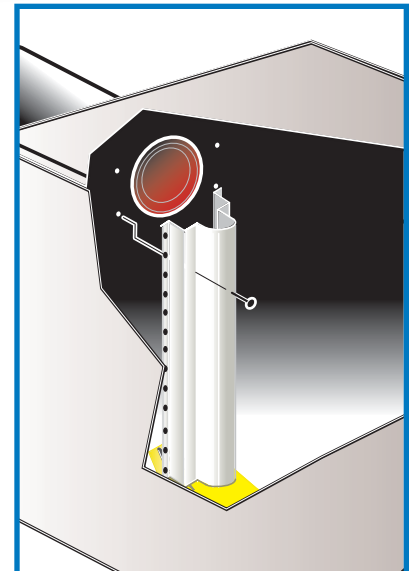
This integrated system saves you and your customer time and money. The Baffle and Filter Ready Seal are poured in place and require no drilling or gluing. Our special screws allow you to hammer in and screw out for easy installation.



Filter Ready Adapter

Baffle and Filter Ready Seal Features:

- Poly II & Poly III seals can also be made baffle or filter ready
- Saves time and labor
- Easy to install



Baffle Ready Seal

BAFFLE AND FILTER READY SEAL SYSTEM

